

Cisco.300-610.v2022-10-10.q127

Exam Code:	300-610
Exam Name:	Designing Cisco Data Center Infrastructure
Certification Provider:	Cisco
Free Question Number:	127
Version:	v2022-10-10
# of views:	2551
# of Questions views:	2062
https://www.dumpsfiles.com/files/Cisco/300-610/Cisco.300-610.v2022-10-10.q127	

NEW QUESTION: 1

A network engineer designs a Cisco Nexus data center network for a client-server farm using a pair of Nexus 9000 Series. Switches in a vPC setup. Each server connects with two interfaces to both Nexus switches. The Nexus switches must always initiate the negotiation with the server. Which feature should be used in this design to ensure traffic is forwarded from the server to the data center network?

- A. LACP mode auto
- B. LACP mode active
- C. PAgP mode desirable
- D. PAgp mode auto

Answer: ([SHOW ANSWER](#))

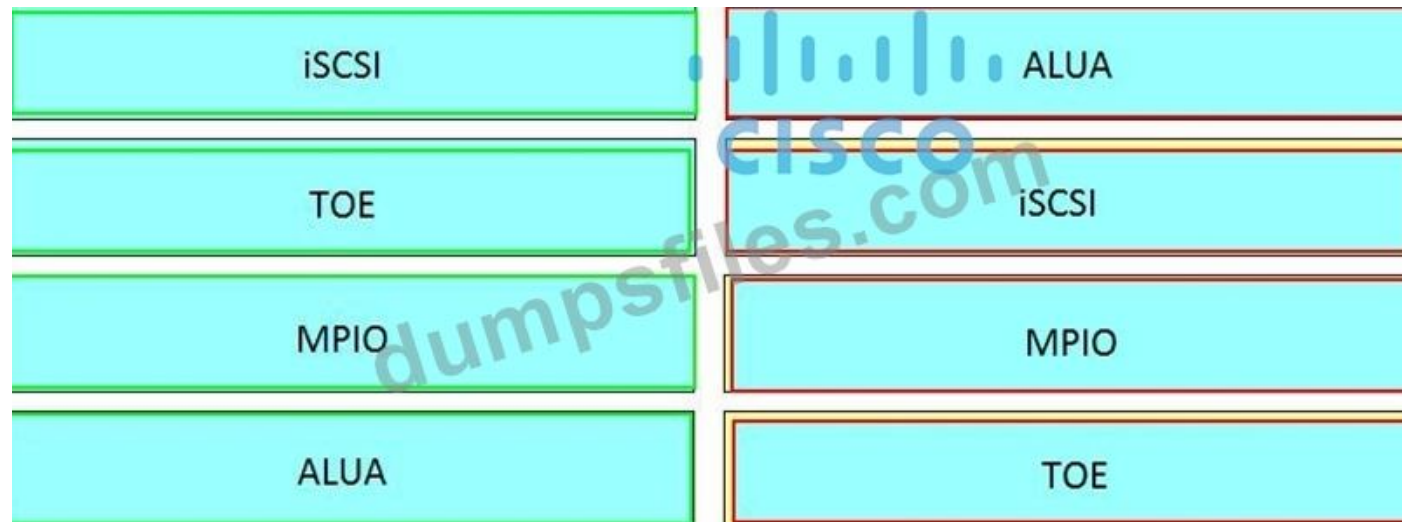
Servers cannot support PAgP

NEW QUESTION: 2

Drag and drop the technologies from the left onto the correct descriptions on the right.

iSCSI	allows the storage system to tell the client which paths are optimized
TOE	provides block-level access to the storage
MPIO	host software has visibility into different iSCSI ports
ALUA	offloads device CPU from encapsulation / decapsulation

Answer:



NEW QUESTION: 3

Refer to the exhibit.

Create vHBA Template

Name :

Description :

Fabric ID : A B

Redundancy

Redundancy Type : No Redundancy Primary Template Secondary Template

Select VSAN : default

Template Type : Initial Template Updating Template

Max Data Field Size : 2048

WWPN Pool : Select (pool default used by default) ▼

QoS Policy : <not set> ▼

Pin Group : <not set> ▼

Stats Threshold Policy : default ▼

Which template is used when a vHBA template pair is created for a specific server that inherits its attributes from an existing template?

- A. Primary
- B. Updating
- C. Secondary
- D. Initial

Answer: D (LEAVE A REPLY)

NEW QUESTION: 4

A failure occurs on the network between two BFD and OSPF neighbors. Drag and drop the protocol actions from the left into the correct order on the right.

BFD notifies the local OSPF process that the BFD neighbor is no longer reachable.	step 1
If an alternate path is available, routers immediately start converging on it.	Step 2
The BFD neighboring session with the OSPF peer is terminated.	Step 3
The local OSPF process tears down the OSPF neighbor relationship.	Step 4

Answer:

BFD notifies the local OSPF process that the BFD neighbor is no longer reachable.	The BFD neighboring session with the OSPF peer is terminated.
If an alternate path is available, routers immediately start converging on it.	BFD notifies the local OSPF process that the BFD neighbor is no longer reachable.
The BFD neighboring session with the OSPF peer is terminated.	The local OSPF process tears down the OSPF neighbor relationship.
The local OSPF process tears down the OSPF neighbor relationship.	If an alternate path is available, routers immediately start converging on it.

NEW QUESTION: 5

A network engineer designs a Cisco Nexus data center network for a client-server farm using a pair of Nexus 9000 Series Switches in a vPC setup. Each server connects with two interfaces to both Nexus switches. The Nexus switches must always initiate the negotiation with the server.

Which feature should be used in this design to ensure traffic is forwarded from the server to the data center network?

- A. LACP mode active
- B. LACP mode auto
- C. PAgP mode auto
- D. PAgP mode desirable

Answer: A (LEAVE A REPLY)

NEW QUESTION: 6

Which two types of service profile templates does Cisco UCS support? (Choose two.)

- A. updating
- B. connected
- C. permanent
- D. initial
- E. temporary

Answer: A,D (LEAVE A REPLY)

NEW QUESTION: 7

Drag and drop the data center technologies from the left onto the correct descriptions on the right. Not all technologies are used.

cut-through switching	connects a classical Ethernet vPC domain and a Cisco FabricPath cloud to interoperate
OTV	extends Layer 2 domains across distributed data centers
store-and-forward switching	performs Layer 2 lookup as soon as the destination MAC is received
VPC	two separate control planes, performs device aggregation
VPC+	

Answer:

cut-through switching	VPC+
OTV	OTV
store-and-forward switching	cut-through switching
VPC	VPC
VPC+	

NEW QUESTION: 8

A storage administrator receives reports of network delays when database software attempts to access the storage array. The virtual machines that host the database software are installed on different rack servers connected to the Cisco UCS Fabric Interconnect domain. The existing SAN switches are connected to the Fabric Interconnects using two 8 Gb port-channel interfaces to connect the storage array. The storage administrator has decided to deploy iSCSI storage with four 10 Gbps interfaces connected to the Cisco UCS Fabric Interconnects.

Which deployment type resolves the problems with storage contention?

- A. iSCSI storage with Cisco UCS Fabric Interconnect in the virtual port-channel mode
- B. iSCSI storage appliance on Cisco UCS Fabric Interconnect in the storage end-host mode
- C. iSCSI storage appliance on Cisco UCS Fabric Interconnect uplink trunk port
- D. iSCSI storage with Cisco UCS Fabric Interconnect using an appliance port

Answer: C (LEAVE A REPLY)

NEW QUESTION: 9

Drag and drop the SAN components from the left onto the correct design considerations on the right.

fabric logins	used to logically separate a SAN fabric
ISL	must be considered for the end-to-end oversubscription ratio
VSAN	these exchanges increase as a result of server virtualization
zone	must be considered when implementing access control

Answer:



NEW QUESTION: 10

A company runs mission-critical infrastructure in a single data center. Due to business growth it plans to open more data centers in the coming years. A network engineer is asked to recommend a network technology for data center interconnection that allows scalability and seamless VM mobility while providing maximum security and fault isolation between data centers. Which technology must be used to meet these requirements?

- A. Trustsec
- B. UDLD
- C. Cloudsec
- D. OTV

Answer: D ([LEAVE A REPLY](#))

NEW QUESTION: 11

An engineer configured the OSPF protocol in the vPC topology. During the catastrophic failure of one of the vPC the member switches, the traffic was routed to a black hole. This route was caused by the long convergence time caused by the delay of the of the vPC member switch reboot. After the failure, the engineer rebooted both switches, but the secondary switch powered on before the primary one. It caused all the vPCs to be shut down due to consistency-check violations. Which two features must be used to prevent these situations from happening in the future? (Choose two.)

- A. auto-recovery
- B. system priority
- C. delay restore
- D. ip arp synchronize
- E. peer-gateway

Answer: A,C ([LEAVE A REPLY](#))

System priority is related to LACP, not vPC, so it is out. ARP s

Reference:

<https://www.cisco.com/c/en/us/support/docs/ios-nx-os-software/nx-os-software/212589-understanding-vpc-election-process.html>

Why do we need vPC Auto-Recovery?

There are two main reasons for this vPC enhancement:

- In a data center outage or power outage, both vPC peers that are comprised of Nexus 7000 switches are off. Occasionally, only one of the peers can be restored. Since the other Nexus 7000 is still off, the vPC peer-link and the vPC peer-keepalive link are also off. In this scenario, the vPC does not come on even for the Nexus 7000 which is already on. All vPC configurations have to be removed from the port-channel on that Nexus 7000 to cause the port-channel to work. When the other Nexus 7000 comes on, you have to again make configuration changes to include the vPC configuration for all the vPCs. In Release 5.0(2) and later, you can configure the `reload restore` command under the vPC domain configuration to address this problem.
- For some reason, the vPC peer-link goes off. Since the vPC peer-keepalive is still on, the vPC secondary peer device turns all its vPC member ports off due to dual-active detection. Hence all the traffic goes through the vPC primary switch. For some reason, the vPC primary switch also goes off. This switch problem black holes the traffic since the vPCs on the secondary peer device are still off because it detected dual-active detection before the vPC primary switch went off.

In Release 5.2(1) and later, the vPC auto-recovery feature merges these two enhancements.

vPC Delay Restore

After a vPC peer device reboots and comes back up, the routing protocol needs time to reconverge. The recovering vPCs leg may black-hole routed traffic from access to aggregation/core until uplink Layer 3 connectivity is reestablished.

vPC Delay Restore feature delays vPCs leg bring-up on the recovering vPC peer device. vPC Delay Restore allows for Layer 3 routing protocols to converge before allowing any traffic on vPC leg. This results in a more graceful restoration and zero packet loss during the recovery phase. Traffic still get diverted on the alive vPC peer device). This feature is enabled by default with a vPC restoration default timer of 30 seconds. The timer can be tuned according to a specific case. The timer range baseline from 1 to 3600 seconds.

NEW QUESTION: 12

Which feature provides a sandbox to convert NX-OS CLI commands to REST-based scripts on Cisco Nexus 7700 Series Switches?

- A. NX-API
- B. Postman
- C. Bash shell
- D. Guest shell

Answer: A ([LEAVE A REPLY](#))

Section: Automation Design

Explanation/Reference: https://www.cisco.com/c/en/us/td/docs/switches/datacenter/nexus9000/sw/7-x/programmability/guide/b_Cisco_Nexus_9000_Series_NX-OS_Programmability_Guide_7x/b_Cisco_Nexus_9000_Series_NX-OS_Programmability_Guide_7x_chapter_010010.html

NEW QUESTION: 13

Drag the appropriate from the left onto the current UDLD modes of operation on the right.

Uses STP if UDLD information times out.	Normal Mode
Detects when a port is stuck.	
Disables a port that has a high error rate.	Aggressive Mode
Allows a port that has a high error rate.	

Answer:

Uses STP if UDLD information times out.	Normal Mode
Detects when a port is stuck.	
Disables a port that has a high error rate.	Aggressive Mode
Allows a port that has a high error rate.	

NEW QUESTION: 14

Which feature provides a sandbox to convert NX-OS CLI commands to REST-based scripts on Cisco Nexus 7700 Series Switches?

- A. Guest shell
- B. NX-API
- C. Bash shell
- D. Postman

Answer: ([SHOW ANSWER](#))

NEW QUESTION: 15

Which type of encoding is used on 8-Gbps links as compared to 10-Gbps links?

- A. 8-Gbps links use 64B/66B encoding, and 10-Gbps links use 8B/10B encoding.
- B. 8-Gbps links and 10-Gbps links use 64B/66B encoding.
- C. 8-Gbps links use 8B/10B encoding, and 10-Gbps links use 64B/66B encoding.
- D. 8-Gbps links and 10-Gbps links use 8B/10B encoding.

Answer: C (LEAVE A REPLY)

NEW QUESTION: 16

An engineer designs a Cisco UCS solution that must provide guaranteed and deterministic bandwidth to a specific server in the environment. The solution must apply to network and storage traffic of C-Series and B-Series servers. Which solution should be included to meet these requirements?

- A. Pin the server ports of the service profile to dedicated uplink ports.
- B. Pin the vNICs and the vHBAs of the service profile to dedicated uplink ports.
- C. Pin the IOM ports of the service profile to dedicated server ports.
- D. Pin the vNICs and vHBAs of the service profile to dedicated server ports

Answer: B (LEAVE A REPLY)

Reference:

Pinning

Pinning in Cisco UCS is only relevant to uplink ports. You can pin Ethernet or FCoE traffic from a given server to a specific uplink Ethernet port or uplink FC port.

When you pin the NIC and HBA of both physical and virtual servers to uplink ports, you give the fabric interconnect greater control over the unified fabric. This control ensures more optimal utilization of uplink port bandwidth.

Cisco UCS uses pin groups to manage which NICs, vNICs, HBAs, and vHBAs are pinned to an uplink port. To configure pinning for a server, you can either assign a pin group directly, or include a pin group in a vNIC policy, and then add that vNIC policy to the service profile assigned to that server. All traffic from the vNIC or vHBA on the server travels through the I/O module to the same uplink port.

- Guidelines for Pinning

Guidelines for Pinning

When you determine the optimal configuration for pin groups and pinning for an uplink port, consider the estimated bandwidth usage for the servers. If you know that some servers in the system will use a lot of bandwidth, ensure that you pin these servers to different uplink ports.

Valid 300-610 Dumps shared by TrainingDump.com for Helping Passing 300-610 Exam! TrainingDump.com now offer the **newest 300-610 exam dumps**, the TrainingDump.com 300-610 exam **questions have been updated** and **answers have been corrected** get the **newest** TrainingDump.com 300-610 dumps with Test Engine here: <https://www.trainingdump.com/Cisco/300-610-practice-exam-dumps.html> (260 Q&As Dumps, **40%OFF Special Discount: Exam-Tests**)

NEW QUESTION: 17

Where does Cisco UCS handle Fibre Channel traffic failover?

- A. on the host, by using multipathing software
- B. in the hardware on any Cisco UCS VIC adapter
- C. on a Cisco UCS Fabric Interconnect ASIC in Fibre Channel switching mode
- D. in the hardware on the Cisco UCS VIC 12xx adapter or later

Answer: A (LEAVE A REPLY)

NEW QUESTION: 18

Which feature provides a sandbox to convert NX-OS CLI commands to REST-based scripts on Cisco Nexus 7700 Series Switches?

- A. NX-API
- B. Guest shell
- C. Postman

D. Bash shell

Answer: A ([LEAVE A REPLY](#))

NEW QUESTION: 19

Drag the appropriate from the left onto the current UDLD modes of operation on the right.

Uses STP if UDLD information times out.

Detects when a port is stuck.

Disables a port that has a high error rate.

Allows a port that has a high error rate.

Normal Mode

Aggressive Mode

Answer:

Uses STP if UDLD information times out.

Detects when a port is stuck.

Disables a port that has a high error rate.

Allows a port that has a high error rate.

Normal Mode

Uses STP if UDLD information times out.

Allows a port that has a high error rate.

Aggressive Mode

Detects when a port is stuck.

Disables a port that has a high error rate.

NEW QUESTION: 20

An engineer is designing a data center that uses FCIP. How is QoS configured in this environment?

- A. Two separate DSCP values must be configured, one for all of the FCIP frames in the control TCP connection and another for all of the FCIP frames in the data connection.
- B. A separate DSCP value must be configured for all FCIP VSAN traffic.
- C. A separate DSCP value and CoPP must be configured for all FCIP traffic and another for all of the FCIP in the data connection.
- D. A separate DSCP value and priority queuing must be configured for all FCIP traffic.

Answer: ([SHOW ANSWER](#))

NEW QUESTION: 21

An engineer is implementing a Cisco UCS environment. The system must aggregate all vNICs into a single policy and consistently enforce node disassociation across the cluster. Which two UCS policies meet these requirements? (Choose two.)

- A. scrub policy
- B. boot policy
- C. firmware policy
- D. LAN connectivity policy
- E. vNIC policy

Answer: ([SHOW ANSWER](#))

NEW QUESTION: 22

An engineer requires a solution that achieves Ethernet traffic forwarding on all available paths from the hosts to the Cisco Nexus Fabric Extender and from the Fabric Extenders to the Cisco Nexus 5000 Series Switches. The NIC teaming from the Fabric Extender to a server should use an LACP EtherChannel. Which solution should be implemented to meet these requirements?

- A. Virtual Port Channel Plus (vPC+)
- B. Virtual Port Channel
- C. Enhanced Virtual Port Channel
- D. Back-to-Back Virtual Port Channel

Answer: ([SHOW ANSWER](#))

NEW QUESTION: 23

Drag and drop the feature descriptions from the left onto the correct UCS Fabric Interconnect modes on the right.

Links are active-active.

MAC address learning occurs on the uplink ports.

STP runs on the uplink ports.

This is the default mode of operation.

End-Host Mode

Switch Mode

Answer:

Links are active-active.

MAC address learning occurs on the uplink ports.

STP runs on the uplink ports.

This is the default mode of operation.

End-Host Mode

Links are active-active.

MAC address learning occurs on the uplink ports.

Switch Mode

STP runs on the uplink ports.

This is the default mode of operation.

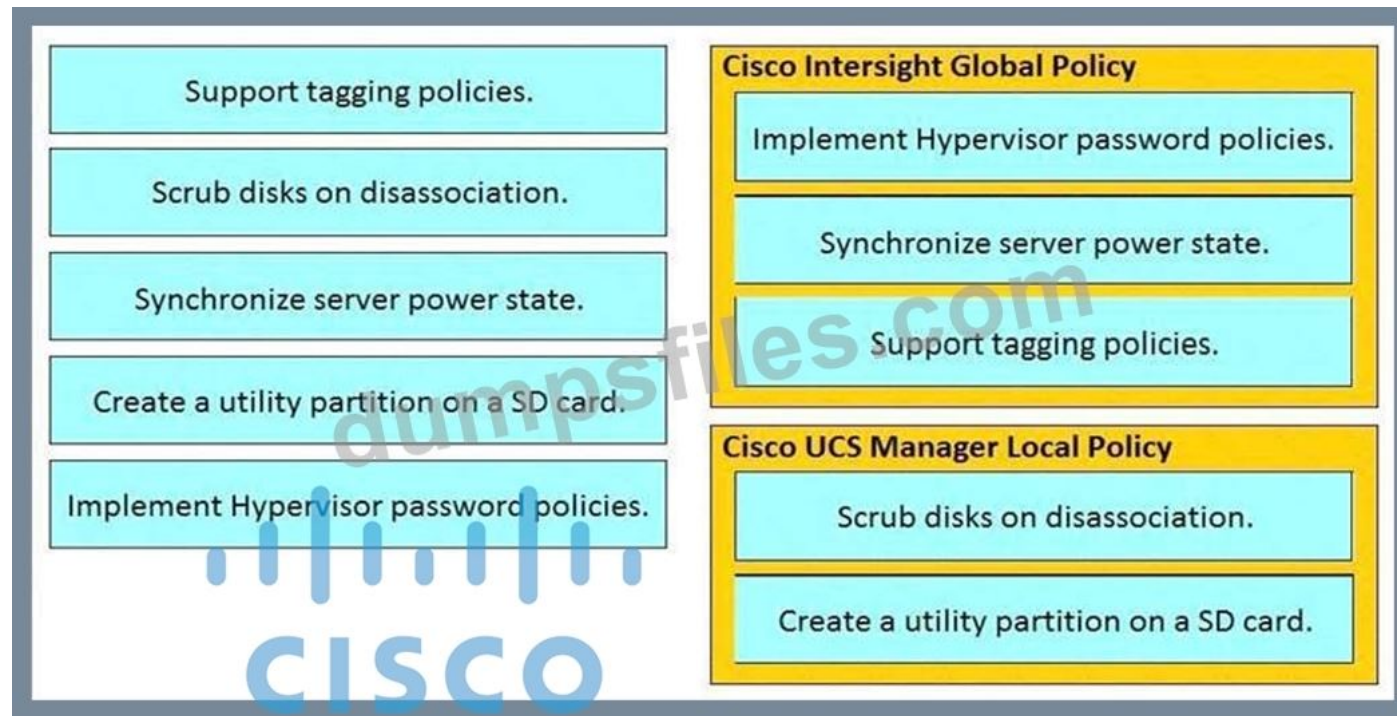
NEW QUESTION: 24

Drag the requirements from the left onto the correct policy types on the right.

Support tagging policies.	Cisco Intersight Global Policy
Scrub disks on disassociation.	
Synchronize server power state.	
Create a utility partition on a SD card.	Cisco UCS Manager Local Policy
Implement Hypervisor password policies.	

Answer:

Support tagging policies.	Cisco Intersight Global Policy
Scrub disks on disassociation.	
Synchronize server power state.	
Create a utility partition on a SD card.	Cisco UCS Manager Local Policy
Implement Hypervisor password policies.	



NEW QUESTION: 25

An engineer is designing a Multichassis EtherChannel topology in which two switches must appear as a single device to a third downstream switch? Which two technologies meet this requirement? (Choose two.)

- A. 802.1q
- B. VSS
- C. HSRP
- D. vPC
- E. FEX

Answer: B,D (LEAVE A REPLY)

NEW QUESTION: 26

An engineer is implementing a storage area network where an NPV is used. The engineer notices that the servers in a storage farm are experiencing heavy traffic contention. The engineer needs to migrate traffic from heavily loaded server interfaces to interfaces with less load. When the new links are deployed, the existing traffic is not rebalanced as expected. Which feature must be used to meet these requirements?

- A. DVM
- B. disruptive load balancing
- C. NPIV
- D. multiple VSAN support

Answer: C (LEAVE A REPLY)

NEW QUESTION: 27

An engineer seeks a solution to retrieve routing information from Cisco Nexus switches. The data must be exported to a web application in a JSON or XML data format for monitoring and must be encrypted during transmission. The solution must not require extensive knowledge to support and should be simple to implement.

Which technology accomplishes these goals?

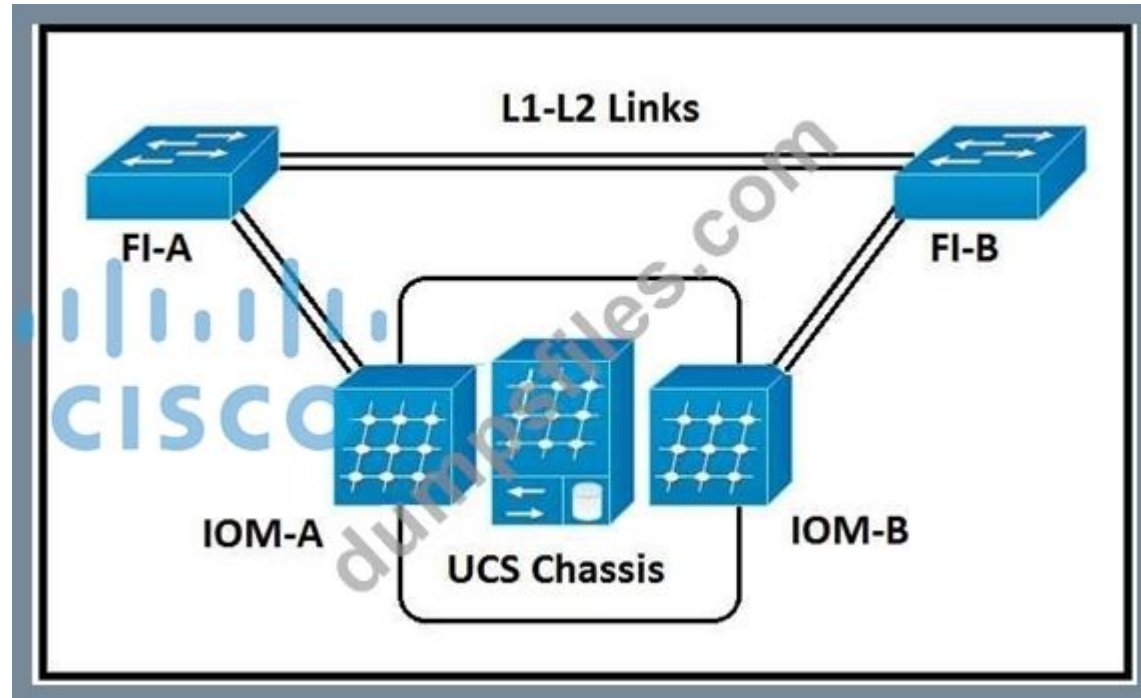
- A. Python scripts
- B. Cisco Tetration
- C. NX-API

D. streaming telemetry

Answer: C ([LEAVE A REPLY](#))

NEW QUESTION: 28

Refer to the exhibit.



A Cisco UCS chassis that has two IOMs is discovered. The chassis discovery policy creates a fabric port channel. What is the result of this policy?

- A. Cisco UCS Manager creates two separate fabric port channels.
- B. Cisco UCS Manager creates a single fabric port channel.
- C. The port channel is disabled until an administrator enables it manually.
- D. Each uplink that connects an IOM is configured as a discrete link.

Answer: A ([LEAVE A REPLY](#))

Section: Compute Design

NEW QUESTION: 29

Drag and drop the configurations from the left onto the correct policies on the right.

Set the number of queues.	vNIC/vHBA Placement Policy
Set the RSS hash value.	
Assign each vCon to a physical adapter.	Ethernet Adapter Policy
Assign adapter order.	

Answer:

Set the number of queues.	vNIC/vHBA Placement Policy
Set the RSS hash value.	
Assign each vCon to a physical adapter.	Ethernet Adapter Policy
Assign adapter order.	

NEW QUESTION: 30

What are two reasons to select OTV as the DCI solution to connect multisite topologies? (Choose two.)

- A. It propagates hosts reachability without support of traffic flooding.
- B. Layer 3 failures do not propagate beyond the OTV edge device.
- C. It extends the spanning tree between data centers.
- D. It is an open standard.
- E. It constrains HSRP hello messages to each data center.

Answer: B,C (LEAVE A REPLY)

Section: Network Design

Explanation/Reference: https://www.cisco.com/c/en/us/td/docs/solutions/Enterprise/Data_Center/DCI/whitepaper/DCI3_OTV_Intro/DCI_1.html

NEW QUESTION: 31

Drag and drop the technologies from the left onto the correct descriptions on the right.

iSCSI	allows the storage system to tell the client which paths are optimized
TOE	provides block-level access to the storage
MPIO	host software has visibility into different iSCSI ports
ALUA	offloads device CPU from encapsulation / decapsulation

Answer:

iSCSI	ALUA
TOE	iSCSI
MPIO	MPIO
ALUA	TOE

Valid 300-610 Dumps shared by TrainingDump.com for Helping Passing 300-610 Exam! TrainingDump.com now offer the **newest 300-610 exam dumps**, the TrainingDump.com 300-610 exam **questions have been updated** and **answers have been corrected** get the **newest** TrainingDump.com 300-610 dumps with Test Engine here: <https://www.trainingdump.com/Cisco/300-610-practice-exam-dumps.html> (260 Q&As Dumps, **40%OFF Special Discount: Exam-Tests**)

NEW QUESTION: 32

What is an advantage of using OTV as compared to VPLS for data center redundancy?

- A. uses a proactive MAC advertisement
- B. prevents loops on point-to-point links
- C. provides head-end replication
- D. provides full-mesh connectivity

Answer: B ([LEAVE A REPLY](#))

NEW QUESTION: 33

The management of the Cisco Nexus switches is provided over an isolated out-of-band network. The VDC feature is configured on the Cisco Nexus core switches. How is out-of-band management access provided for each VDC?

- A. Each VDC has a unique out-of-band IP address from different IP subnets among VDCs.
- B. Each VDC has a dedicated out-of-band Ethernet management port.

C. All the VDC have the same out-of-band IP address.

D. Each VDC has a unique out-of-band IP address from the same IP subnet.

Answer: ([SHOW ANSWER](#))

NEW QUESTION: 34

An engineer must design a Cisco HyperFlex solution to support a virtualized environment in a single data center location. The design must consider these customer requirements:

- * a large-scale cluster with eight or more nodes
- * distributed high-performance file system for virtualized servers
- * high fault tolerance to multiple node failures

Which action meets these objectives?

- A. Enable logical availability zones.
- B. Create multiple datastores for storage of VM.
- C. Implement a replication factor of four.
- D. Configure data destaging and deduplication

Answer: ([SHOW ANSWER](#))

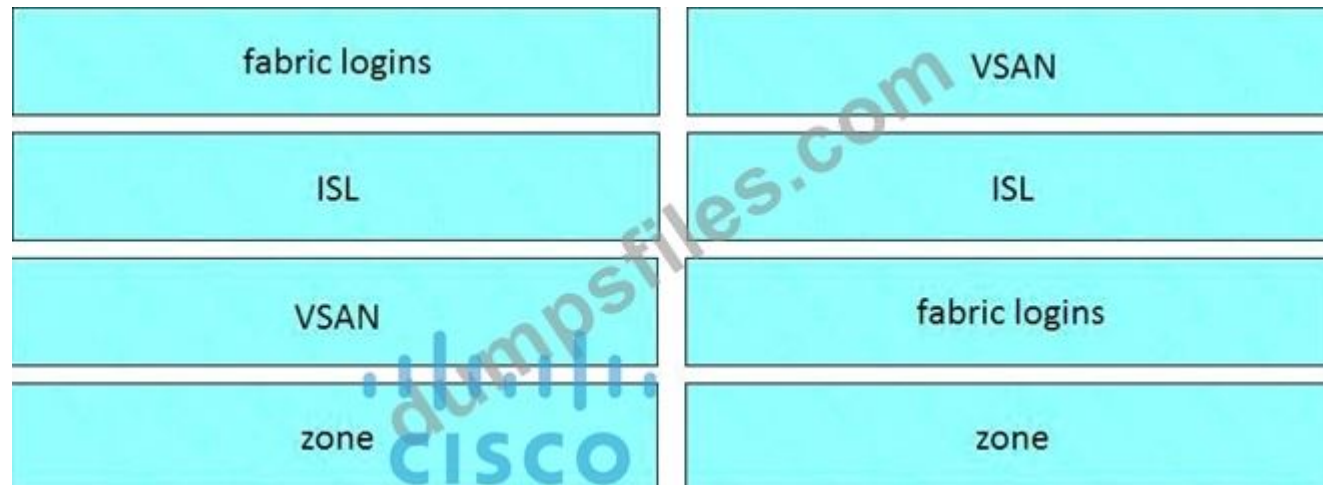
NEW QUESTION: 35

Drag and drop the SAN components from the left onto the correct design considerations on the right.

fabric logins	used to logically separate a SAN fabric
ISL	must be considered for the end-to-end oversubscription ratio
VSAN	these exchanges increase as a result of server virtualization
zone	must be considered when implementing access control

Answer:

fabric logins	VSAN
ISL	ISL
VSAN	fabric logins
zone	zone



NEW QUESTION: 36

Which two features are provided by deploying an OOB management network in a Cisco Nexus data center?

(Choose two.)

- A. Layer 3 path for vPC keepalive packets
- B. Layer 2 path for server traffic
- C. Layer 3 path for server traffic
- D. Layer 2 path for a vPC peer link
- E. Layer 3 path for monitoring purposes

Answer: B,D (LEAVE A REPLY)

NEW QUESTION: 37

A network architect proposes a distinct Fibre Channel fabric to be used for a Cisco UCS blade server that hosts critical applications. Which action should be implemented for the fibre Channel traffic from the vHBA of this service to pass through the I/O module in the Cisco chassis to a specified uplink Fibre Channel port?

- A. Include a SAN pin group in the vHBA policy.
- B. Update the applied Fibre Channel adapter policy.
- C. Update the applied global QoS policy.
- D. Enable persistent binding in the vHBA policy.

Answer: A (LEAVE A REPLY)

Reference:

https://www.cisco.com/c/en/us/td/docs/unified_computing/ucs/ucs-manager/GUI-User-Guides/Storage-Mgmt/3-2/b_UCSM_GUI_Storage_Management_Guide_3_2/b_UCSM_GUI_Storage_Management_Guide_3_2_chapter_0110.pdf

SAN Pin Groups

Cisco UCS uses SAN pin groups to pin Fibre Channel traffic from a vHBA on a server to an uplink Fibre Channel port on the fabric interconnect. You can use this pinning to manage the distribution of traffic from the servers.

NEW QUESTION: 38

Refer to the exhibit.

```
switch# show interface fc 1/1
fc1/1 is up
Hardware is Fibre Channel, SFP is short wave laser w/o OFC (SN)
Port WWN is 22:01:00:05:30:01:1f:02
Admin port mode is F
snmp traps are enabled
Port mode is F, FCID is 0xec0002
Port vsan is 1
Speed is 4 Gbps
Rate mode is shared
Transmit B2B Credit is 64
Receive B2B Credit is 16
Receive data field Size is 2112
Beacon is turned off
5 minutes input rate 0 bits/sec, 0 bytes/sec, 0 frames/sec
5 minutes output rate 0 bits/sec, 0 bytes/sec, 0 frames/sec
213 frames input, 17311 bytes
0 discards, 0 errors
0 CRC, 0 unknown class
0 too long, 0 too short
332 frames output, 22344 bytes
0 discards, 0 errors
0 input OLS, 0 LRR, 1 NOS, 0 loop inits
1 input OLS, 0 LRR, 0 NOS, 0 loop inits
16 receive B2B credit remaining
64 transmit B2B credit remaining
```

A customer must ensure that the interface on a switch has enough resources to sustain the line rate traffic during peak load.

Which action meets this requirement?

- A. Set Transmit B2B credit to 16.
- B. Change the rate mode to dedicated.
- C. Increase the data field size to 9000 bytes.
- D. Change the port mode to NL.

Answer: ([SHOW ANSWER](#))

NEW QUESTION: 39

What are two characteristics of VRF-Lite on the Cisco NX-OS platform? (Choose two.)

- A. Overlapping IP addresses are permitted on different VRFs.
- B. VRF-Lite interfaces can be Layer 2.
- C. VRF-Lite interfaces support MPLS.
- D. Interfaces that belong to VRFs can be physical or logical.
- E. Layer 3 interfaces can belong to multiple VRFs.

Answer: A,D ([LEAVE A REPLY](#))

NEW QUESTION: 40

Drag and drop the feature descriptions from the left onto the correct UCS Fabric Interconnect modes on the right.

Links are active-active.	End-Host Mode
MAC address learning occurs on the uplink ports.	
STP runs on the uplink ports.	
This is the default mode of operation.	Switch Mode

Answer:

Links are active-active.	End-Host Mode
MAC address learning occurs on the uplink ports.	Links are active-active.
STP runs on the uplink ports.	MAC address learning occurs on the uplink ports.
This is the default mode of operation.	Switch Mode
	STP runs on the uplink ports.
	This is the default mode of operation.

NEW QUESTION: 41

A network engineer must design a Cisco HyperFlex solution based on these requirements:

- * two clusters in the main data center consisting of five HyperFlex nodes
- * one edge node for the remote branch
- * cluster nodes that use one rack unit of space

Which two devices should be used in the remote branch cluster for this design? (Choose two.)

- A. HX240c
- B. Fabric Interconnect 6300
- C. HX220c
- D. Gigabit Ethernet Switch
- E. UCS B200

Answer: C,D (LEAVE A REPLY)

HX240 is excluded because it is 2RU, while the requirement is to have one rack unit of space.

UCS B200 and FI 6300 are excluded because the solution is required in a branch.

NEW QUESTION: 42

Which approach splits a pair of clustered fabric interconnects into two standalone devices?

- A. Erase the configuration of both fabric interconnects.
- B. Unplug the Layer 1 and Layer 2 interfaces between the devices.
- C. Run the connect local-management command on each fabric interconnect.
- D. Run the disable fips-mode command on each fabric interconnect.

Answer: B ([LEAVE A REPLY](#))

NEW QUESTION: 43

An engineer must implement an iSCSI storage connectivity in the existing Cisco UCS environment. The environment is based on Cisco UCS C-Series rack server, Cisco Nexus 1000V Series Switches, and VMware ESXi hosts. The implementation must meet these requirements:

Provide multipathing and high availability in the event of a critical path failure.

Be cost-effective and not require the purchase of new equipment.

Which two components must be selected to meet these requirements? (Choose two.)

- A. uplink pinning
- B. software iSCSI adapter
- C. system VLAN
- D. hardware iSCSI NIC
- E. storage binding

Answer: B,E ([LEAVE A REPLY](#))

NEW QUESTION: 44

What can be implemented on Cisco Nexus 5600 Series Switches for link redundancy within a Fibre Channel fabric?

- A. vPC+
- B. SAN port channel
- C. LACP port channel
- D. E-Trunk

Answer: C ([LEAVE A REPLY](#))

NEW QUESTION: 45

The management of the Cisco Nexus switches is provided over an isolated out-of-band network. The VDC feature is configured on the Cisco Nexus core switches. How is out-of-band management access provided for each VDC?

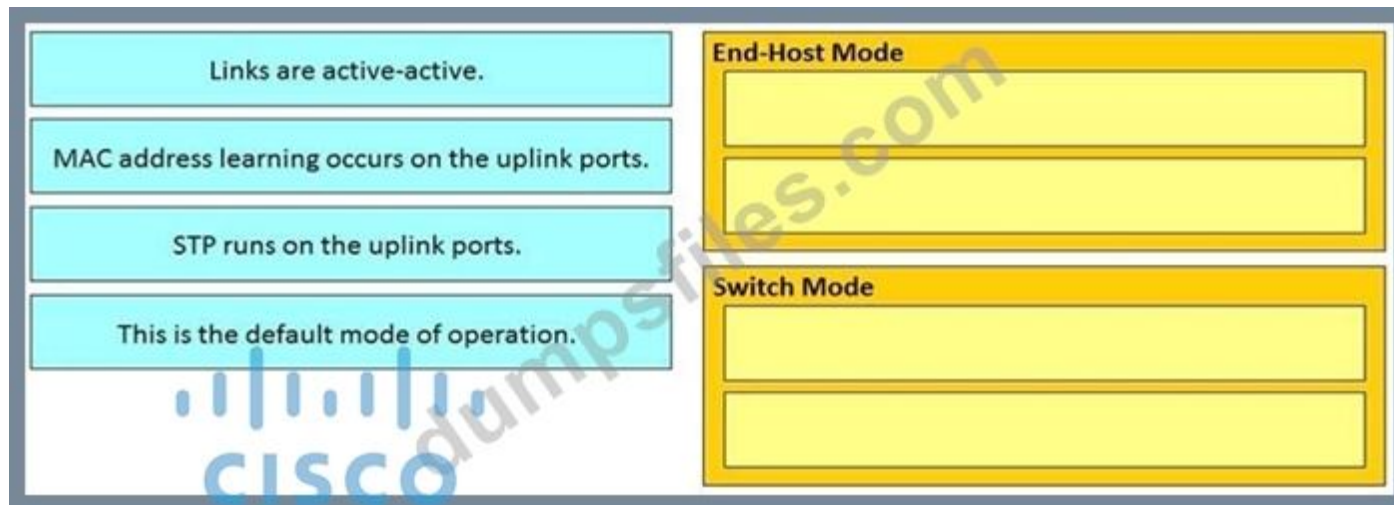
- A. All the VDC have the same out-of-band IP address.
- B. Each VDC has a dedicated out-of-band Ethernet management port.
- C. Each VDC has a unique out-of-band IP address from the same IP subnet.
- D. Each VDC has a unique out-of-band IP address from different IP subnets among VDCs.

Answer: C ([LEAVE A REPLY](#))

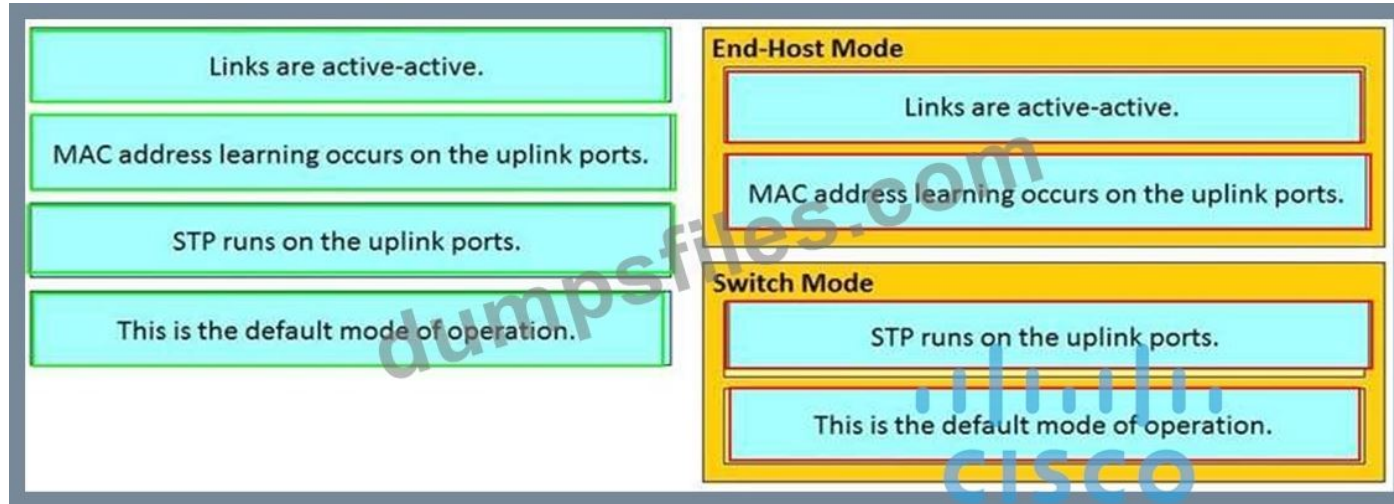
Section: Network Design

NEW QUESTION: 46

Drag and drop the feature descriptions from the left onto the correct UCS Fabric Interconnect modes on the right.



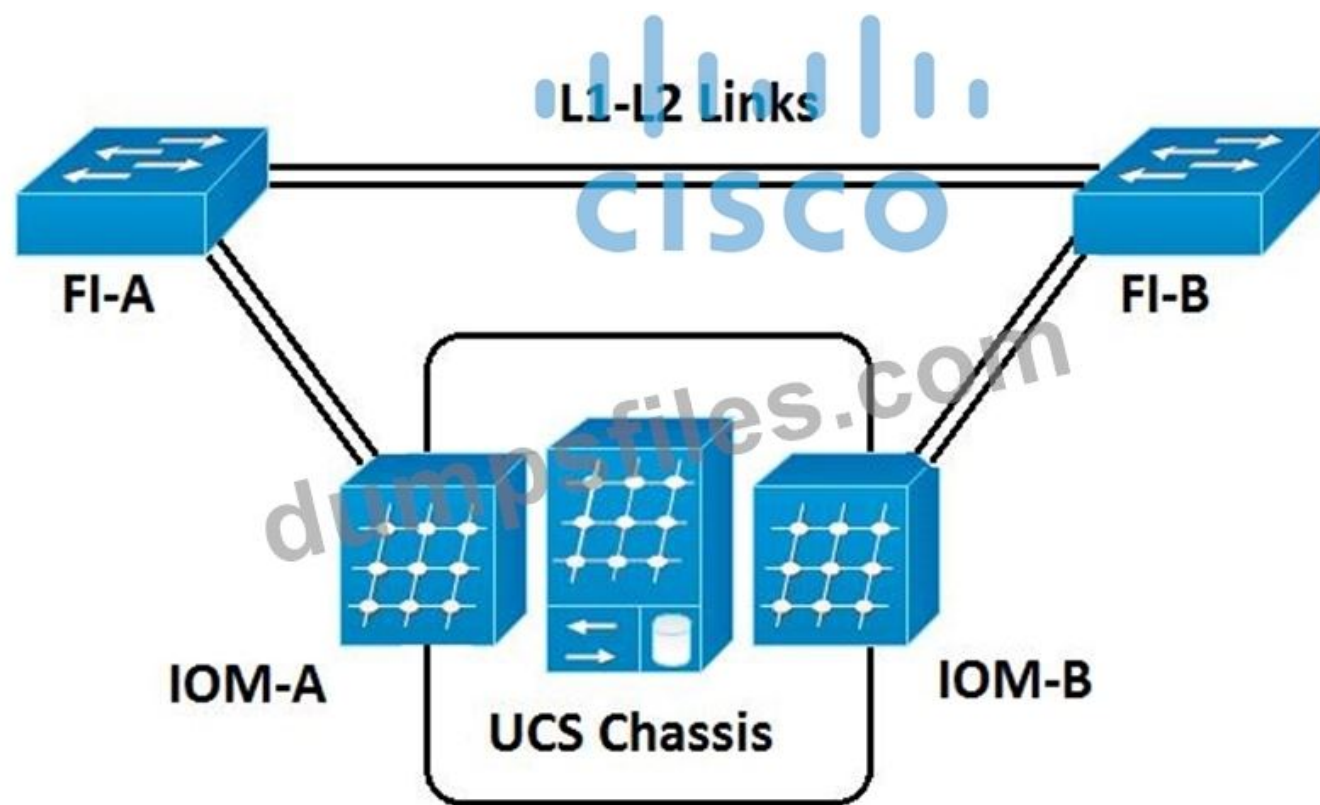
Answer:



Valid 300-610 Dumps shared by TrainingDump.com for Helping Passing 300-610 Exam! TrainingDump.com now offer the **newest 300-610 exam dumps**, the TrainingDump.com 300-610 exam **questions have been updated** and **answers have been corrected** get the **newest** TrainingDump.com 300-610 dumps with Test Engine here: <https://www.trainingdump.com/Cisco/300-610-practice-exam-dumps.html> (260 Q&As Dumps, **40%OFF Special Discount: Exam-Tests**)

NEW QUESTION: 47

Refer to the exhibit.



A Cisco UCS chassis that has two IOMs is discovered. The chassis discovery policy creates a fabric port channel. What is the result of this policy?

- A. The port channel is disabled until an administrator enables it manually.
- B. Cisco UCS Manager creates a single fabric port channel.
- C. Cisco UCS Manager creates two separate fabric port channels.
- D. Each uplink that connects an IOM is configured as a discrete link.

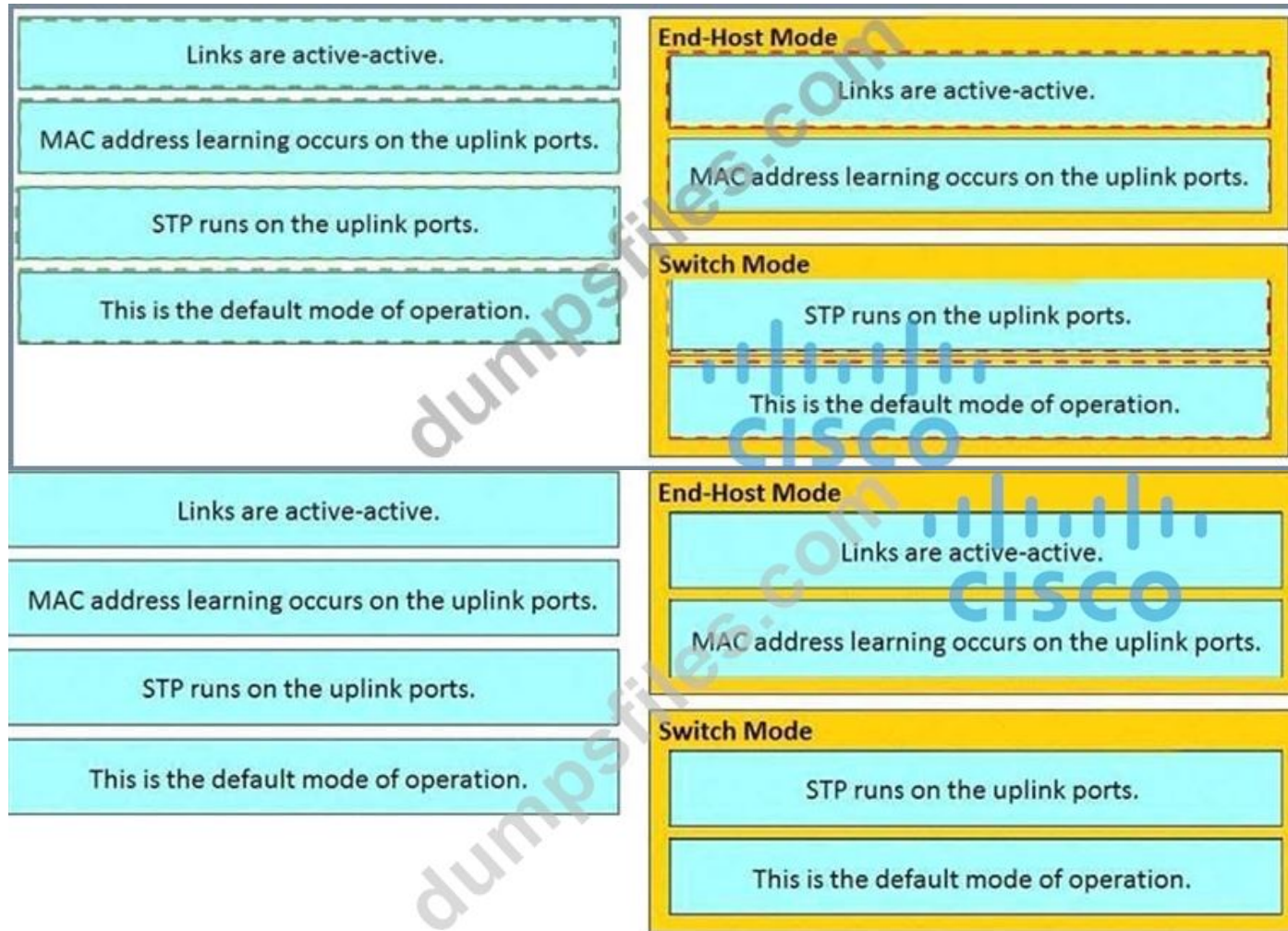
Answer: C ([LEAVE A REPLY](#))

NEW QUESTION: 48

Drag and drop the feature descriptions from the left onto the correct UCS Fabric Interconnect modes on the right.

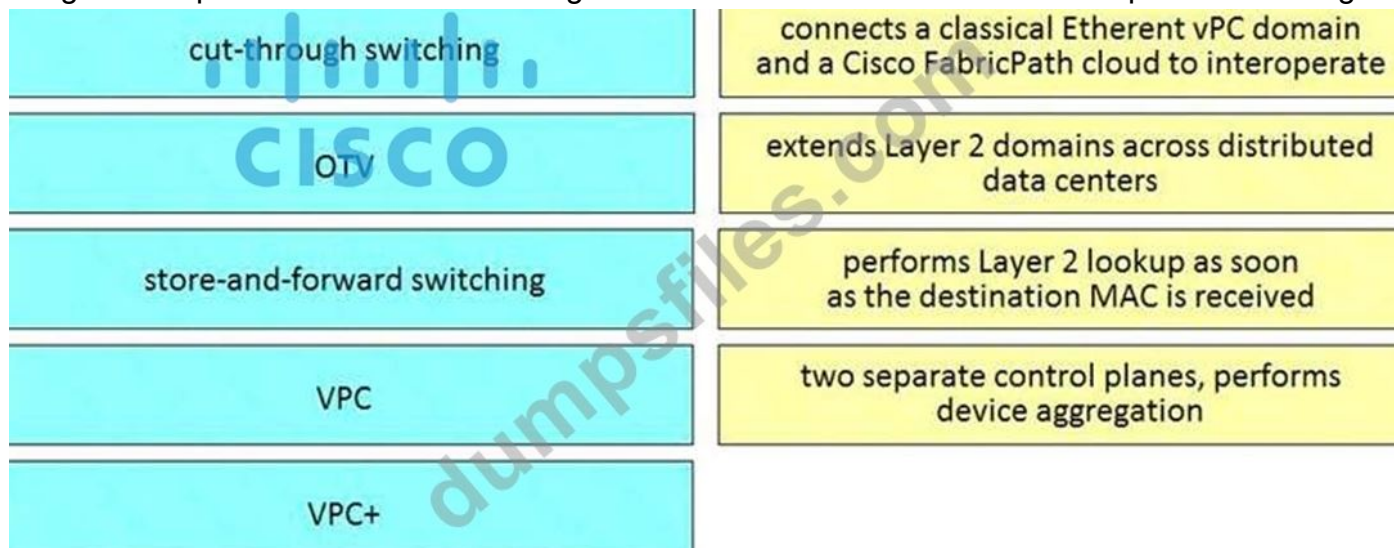
Links are active-active.	End-Host Mode
MAC address learning occurs on the uplink ports.	
STP runs on the uplink ports.	Switch Mode
This is the default mode of operation.	

Answer:



NEW QUESTION: 49

Drag and drop the data center technologies from the left onto the correct descriptions on the right. Not all technologies are used.

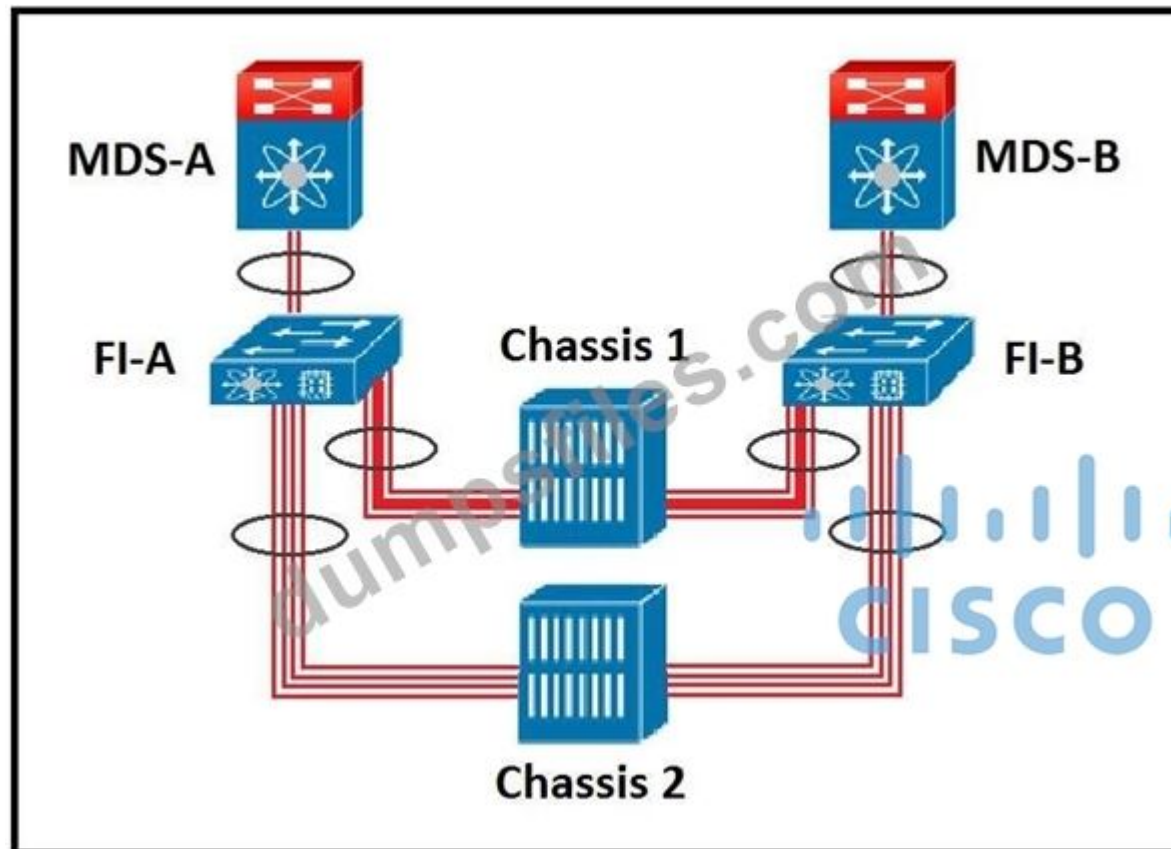


Answer:

cut-through switching	VPC+
OTV	OTV
store-and-forward switching	cut-through switching
VPC	VPC
VPC+	
cut-through switching	VPC+
OTV	OTV
store-and-forward switching	cut-through switching
VPC	VPC
VPC+	

NEW QUESTION: 50

Refer to the exhibit.



An engineer must assign multiple Fibre Channel IDs to a single port channel. Which two features must be enabled this goal? (Choose two.)

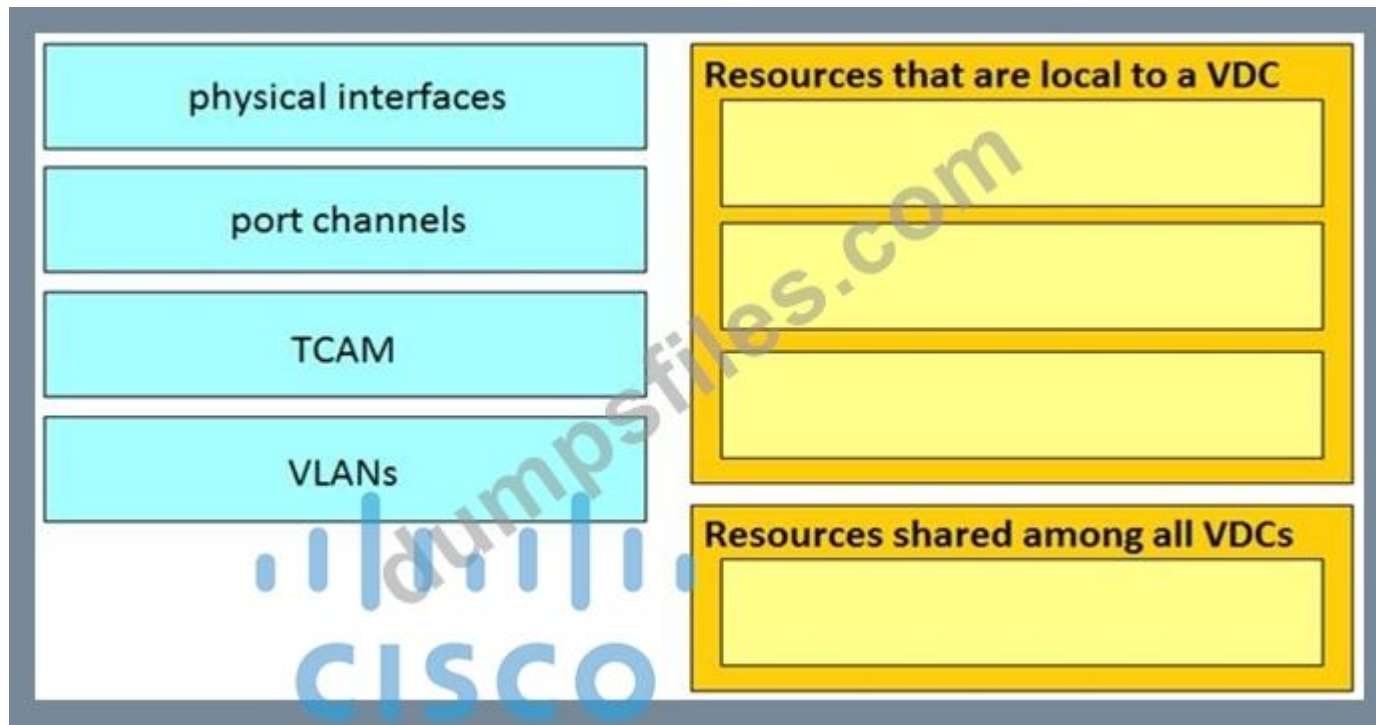
- A. SAN Pin Groups on the Cisco UCS Fabric Interconnects.
- B. NPV feature on the Cisco MDS Series.
- C. end-host mode feature on the Cisco UCS Fabric Interconnects
- D. NPIV feature on the Cisco MDS Series
- E. Smart Zoning feature on the Cisco UCS Fabric Interconnects

Answer: B,D (LEAVE A REPLY)

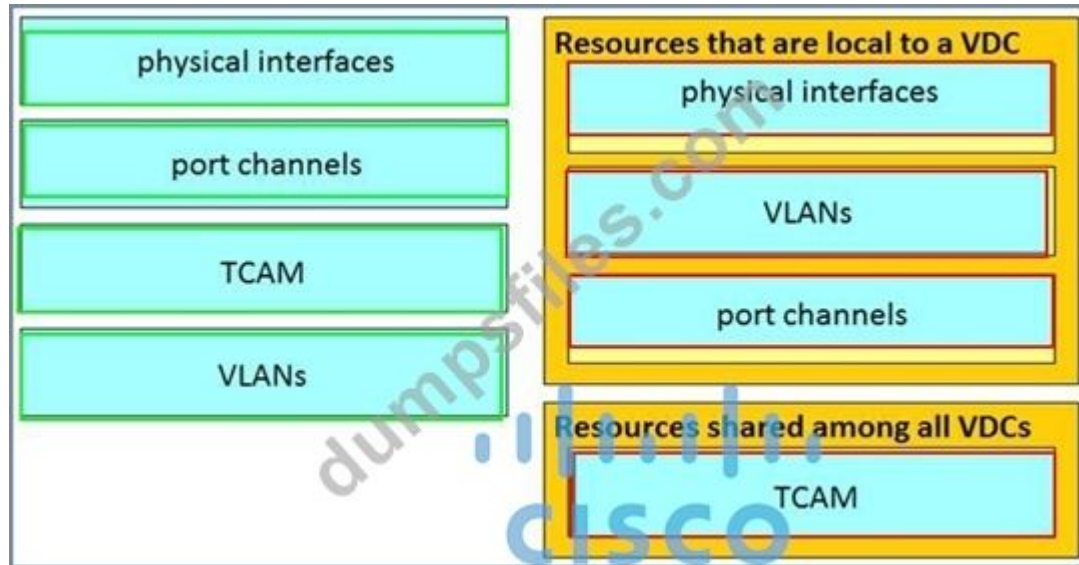
Section: Compute Design

NEW QUESTION: 51

Drag and drop the Cisco Nexus 7000 Series Switch resources from the left onto the correct groups on the right.



Answer:



NEW QUESTION: 52

What is the disadvantage of asynchronous storage replication as compared to synchronous storage replication in a disaster recovery design?

- A. reduction in application performance
- B. distance limitations
- C. specific backup requirements
- D. potential data loss

Answer: (SHOW ANSWER)

Section: Storage Network Design

Explanation/Reference:

Reference: <https://www.evidian.com/products/high-availability-software-for-application-clustering/synchronous-replication-vs-asynchronous-replication/>

NEW QUESTION: 53

An engineer finishes the initial set up of a VXLAN EVPN network. The engineer is asked to plan for connectivity that supports redundancy and extends multiple virtual routing and forwarding domains. The requirement is to use the same default gateway addressing across all leaf switches that belong to the VXLAN network. Which two solution must be used to meet these requirements? (Choose two)

- A. spanning tree protocol
- B. VRF-lite
- C. Distributed anycast gateway
- D. DC interconnect
- E. Inter-site network

Answer: C,D (LEAVE A REPLY)

Reference:

<https://www.cisco.com/c/en/us/products/collateral/switches/nexus-9000-series-switches/white-paper-c11-739942.html>

EVPN VXLAN Distributed Anycast Gateway

Distributed anycast gateway feature for EVPN VXLAN is a default gateway addressing mechanism that enables the use of the same gateway IP addresses across all the leaf switches that are part of a VXLAN network. This ensures that every leaf switch can function as the default gateway for the workloads directly connected to it. The feature facilitates flexible workload placement, host mobility and optimal traffic forwarding across the VXLAN fabric.

EVPN Multi-Site architecture allows the extension of Layer 2 and Layer 3 segments beyond a single site. Using EVPN Multi-Site architecture, you can extend Layer 2 VNIs to enable seamless endpoint mobility and address other use cases that require communication bridged beyond a single site. Use cases involving Layer 3 extension beyond a single site primarily require multitenant awareness or VPN services. With the multitenant capability in BGP EVPN and specifically in EVPN Multi-Site architecture, multiple VRF instances or tenants can be extended beyond a single site using a single control plane (BGP EVPN) and a single data plane (VXLAN).

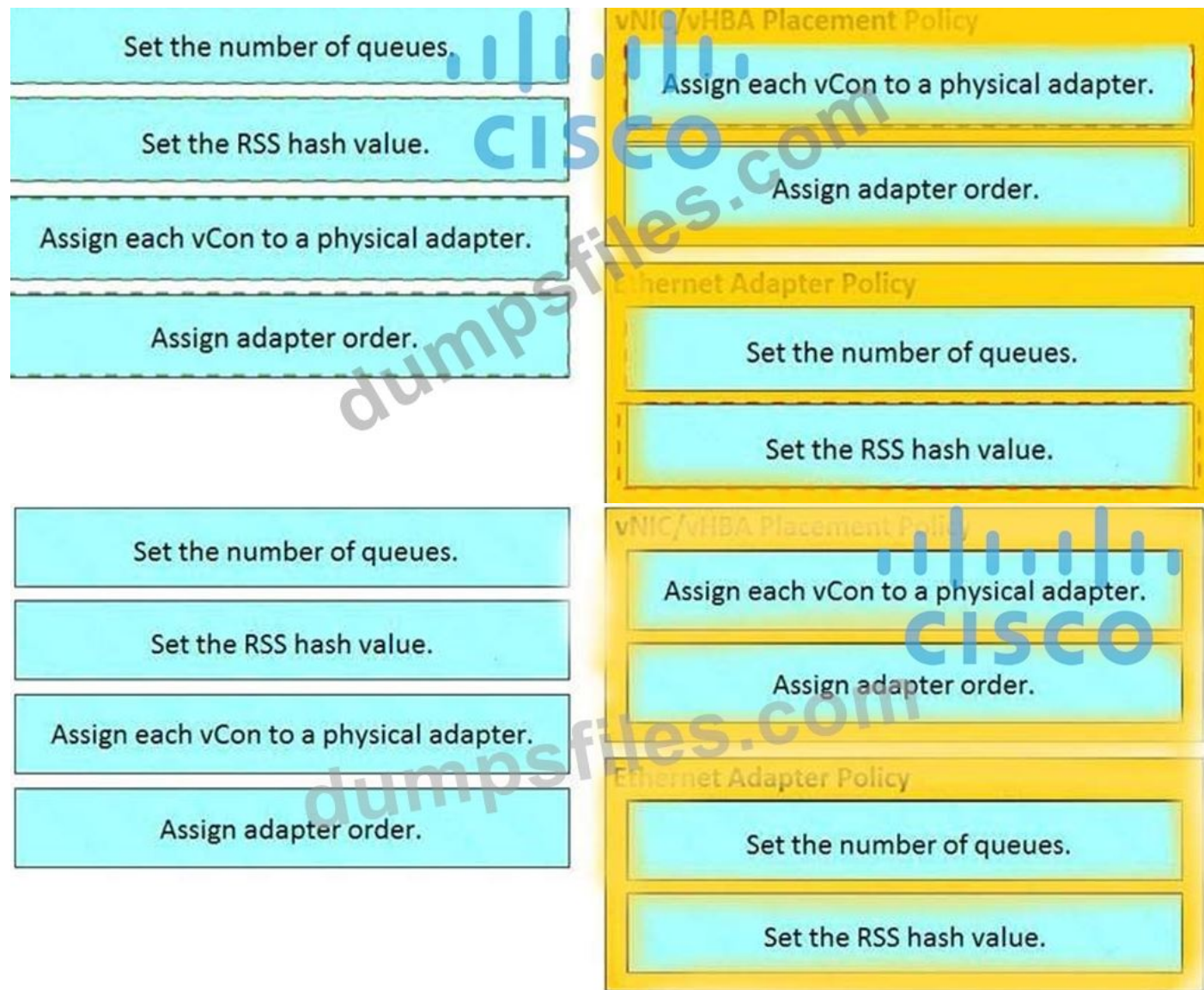
EVPN Multi-Site architecture can also be used for DCI scenarios (Figure 3). As with the compartmentalization and scale-out within a data center, EVPN Multi-Site architecture was built with DCI in mind. The overall architecture allows single or multiple sites per data center to be positioned and interconnected with single or multiple sites in a remote data center. With seamless and controlled Layer 2 and Layer 3 extension through the use of VXLAN BGP EVPN within and between sites, the capabilities of VXLAN BGP EVPN itself have been increased. The new functions related to network control, VTEP masking, and BUM traffic enforcement are only some of the features that help make EVPN Multi-Site architecture the most efficient DCI technology.

NEW QUESTION: 54

Drag and drop the configurations from the left onto the correct policies on the right.

Set the number of queues.	vNIC/vHBA Placement Policy
Set the RSS hash value.	
Assign each vCon to a physical adapter.	Ethernet Adapter Policy
Assign adapter order.	

Answer:



NEW QUESTION: 55

A network engineer must design a data center network with four Cisco Nexus 7706 switches. The switches will be installed in primary and secondary data centers in vPC domains. The two data centers must be connected via Layer 2 links and provide the maximum throughput, redundancy, and avoid port-blocking spanning-tree design.

Which deployment model meets these requirements?

- A. single-sided dual vPC
- B. dual-sided dual vPC
- C. dual-sided single vPC
- D. single-sided single vPC

Answer: B ([LEAVE A REPLY](#))

NEW QUESTION: 56

Drag and drop the feature descriptions from the left onto the correct UCS Fabric Interconnect modes on the right.

Links are active-active.	End-Host Mode
MAC address learning occurs on the uplink ports.	
STP runs on the uplink ports.	
This is the default mode of operation.	Switch Mode

Answer:

Links are active-active.	End-Host Mode
MAC address learning occurs on the uplink ports.	Links are active-active.
STP runs on the uplink ports.	MAC address learning occurs on the uplink ports.
This is the default mode of operation.	Switch Mode
	STP runs on the uplink ports.
	This is the default mode of operation.

Links are active-active.	End-Host Mode
MAC address learning occurs on the uplink ports.	Links are active-active.
STP runs on the uplink ports.	MAC address learning occurs on the uplink ports.
This is the default mode of operation.	Switch Mode
	STP runs on the uplink ports.
	This is the default mode of operation.

NEW QUESTION: 57

An engineer must logically partition two Cisco Nexus 7000 Series Switches into two environments called Test_39919596 and Production_59423879. The environments must use only F2-Series line cards and be limited to a maximum of 265 port-channels. Which Cisco Nexus feature must be used?

- A. vFC
- B. VDC
- C. vPC
- D. VRF

Answer: ([SHOW ANSWER](#))

NEW QUESTION: 58

Drag and drop the Cisco Nexus 7000 Series Switch resources from the left onto the correct groups on the right.

physical interfaces

port channels

TCAM

VLANs

Resources that are local to a VDC

Resources shared among all VDCs

Answer:

physical interfaces

port channels

TCAM

VLANs

Resources that are local to a VDC

physical interfaces

VLANs

port channels

Resources shared among all VDCs

TCAM

NEW QUESTION: 59

Which orchestration tool should be used for the management and analytics of servers across multiple sites?

- A. Cisco Data Center Network Manager
- B. Cisco UCS Manager
- C. Cisco Intersight
- D. Cisco Nexus Fabric Manager

Answer: C ([LEAVE A REPLY](#))

NEW QUESTION: 60

Which two automation requirements are met when Puppet is used? (Choose two.)

- A. Enable one-off infrastructure changes to be performed manually.
- B. Enable clients to pull changes without installing an agent.
- C. Immediately push configuration updates to servers.
- D. Provide support for writing new modules in Python.
- E. Enable clients to pull changes to configuration files.

Answer: B,C (LEAVE A REPLY)

NEW QUESTION: 61

A network engineer is designing a Cisco Hyperflex infrastructure. The infrastructure will be connected to an external SAN fiber channel array and must support Microsoft clustering.

Which storage connectivity method must be used to meet these requirements?

- A. Fibre Channel over Ethernet
- B. Internet Small Computer Systems Interface
- C. raw device mapping
- D. server message block

Answer: A (LEAVE A REPLY)

Reference:

HyperFlex_HX_DataPlatformSoftware/Network_External_Storage_Management_Guide/ b_HyperFlex_Systems_Network_and_External_Storage_Management_Guide_3_0/
b_HyperFlex_Systems_Network_and_External_Storage_Management_Guide_3_0_chapter_010.html

Valid 300-610 Dumps shared by TrainingDump.com for Helping Passing 300-610 Exam! TrainingDump.com now offer the **newest 300-610 exam dumps**, the TrainingDump.com 300-610 exam **questions have been updated** and **answers have been corrected** get the **newest** TrainingDump.com 300-610 dumps with Test Engine here: <https://www.trainingdump.com/Cisco/300-610-practice-exam-dumps.html> (260 Q&As Dumps, **40%OFF Special Discount: Exam-Tests**)

NEW QUESTION: 62

An engineer must design a solution based on Cisco Nexus 7709 Switches. The solution must connect test and development network segments and separate the enterprise applications from the production network. The network security team requires routing instances and the IP stack to be completely separated from each other and for traffic between the environments to undergo a deep packet inspection. The development team also requests the ability to allocate additional physical interfaces from the Cisco Nexus 7709 device in each environment.

Which solution meets these requirements?

- A. 1) Assign a separate VDC for the testing and development environments.
2) Place a firewall between the VDCs.
- B. 1) Enable new routing instances for the testing and development environments in the same VDC.
2) Control reachability by using firewall access policies.
- C. 1) Create a separate VRF for the testing and development environments.
2) Control reachability by using firewall access policies.
- D. 1) Create a VRF for the testing and development environments.
2) Use ACLs to control traffic between the two environments.

Answer: A (LEAVE A REPLY)

NEW QUESTION: 63

A network architect must design a large-scale Cisco SAN topology. The customer has a limited budget, so a design that provides use of resources is required. To support this requirement, the architect to share array ports, ISL, and line card bandwidth. The customer has also presented these additional considerations:

The customer's plans to expand the network by 10% over the next two years.

The customer's policy requires physically separated infrastructure to support high availability.

Which solution should be used to meet these requirements?

- A. Collapsed-core
- B. Mesh
- C. Core-edge
- D. Edge-core-edge

Answer: C ([LEAVE A REPLY](#))

Please review this question.

NEW QUESTION: 64

A customer asks an engineer to develop a framework to configure Cisco services that will be used to replace process of manual device configuration. The engineer plans to use a programmatic interface and must keep these considerations in mind:

* The customer's environment requires the script to authenticate before executing further actions.

* The customer's security requirements mandate the use of HTTPS transport.

* The support staff has limited shell scripting knowledge, so the scripts should be easy to read and write and be self-documenting.

Which two solutions should be used to meet these requirements? (Choose two.)

- A. YAML
- B. Python scripts
- C. Bash scripts
- D. REST calls
- E. domain-based policies

Answer: B,D ([LEAVE A REPLY](#))

NEW QUESTION: 65

An engineer is building a data center network with VXLAN EVPN. The requirement is to use multicast for the broadcast, unknown unicast, and multicast replication.

Which two VNI to multicast group mapping methods must be used to meet these requirements? (Choose two.)

- A. many VNI to many multicast groups
- B. one NVE to many multicast groups
- C. many NVE to one multicast group
- D. many VNI to one multicast group
- E. one VNI to one multicast group

Answer: (SHOW ANSWER)

NEW QUESTION: 66

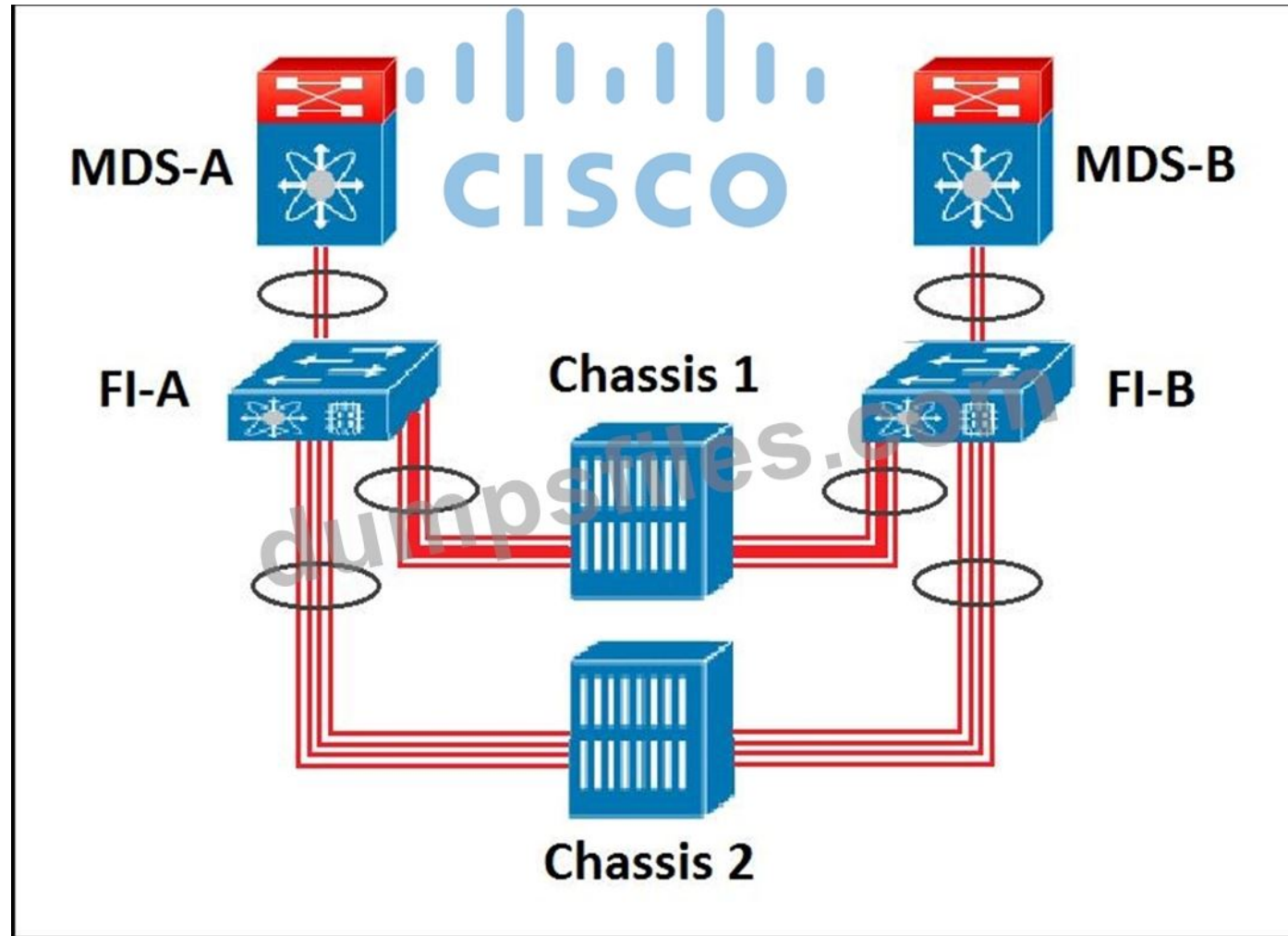
What are two advantages of using Cisco vPC as compared to traditional access layer designs? (Choose two.)

- A. maintains single control plane
- B. no spanning-tree blocked ports

- C. uses all available uplink bandwidth
 - D. supports Layer 3 port channels
 - E. disables spanning-tree
- Answer: B,C ([LEAVE A REPLY](#))

NEW QUESTION: 67

Refer to the exhibit.



An engineer must assign multiple Fibre Channel IDs to a single port channel. Which two features must be enabled this goal? (Choose two.)

- A. NPIV feature on the Cisco MDS Series
- B. end-host mode feature on the Cisco UCS Fabric Interconnects
- C. Smart Zoning feature on the Cisco UCS Fabric Interconnects
- D. SAN Pin Groups on the Cisco UCS Fabric Interconnects.
- E. NPV feature on the Cisco MDS Series.

Answer: A,E ([LEAVE A REPLY](#))

NEW QUESTION: 68

A network engineer must create a Fibre Channel fabric QoS design for an existing data center. The solution must provide relative bandwidth guarantees to application traffic, control latency, and prioritize application traffic.

Which mechanism must be deployed to support these requirements?

- A. traffic remarking
- B. traffic shaping

C. traffic classification

D. traffic policing

Answer: ([SHOW ANSWER](#))

NEW QUESTION: 69

Drag and drop the Cisco Nexus 7000 Series Switch resources from the left onto the correct groups on the right.

physical interfaces

port channels

TCAM

VLANs

Resources that are local to a VDC

Resources shared among all VDCs

Answer:

physical interfaces

port channels

TCAM

VLANs

Resources that are local to a VDC

Resources shared among all VDCs

NEW QUESTION: 70

A Cisco UCS instance has four interfaces on a UCS VIC. Where on the fabric interconnect does each interface terminate?

A. virtual interface

B. vPC

C. physical port

D. port channel

Answer: A ([LEAVE A REPLY](#))

NEW QUESTION: 71

An engineer installs a B-Series server in a Cisco UCS chassis that contains a pair of UCS-IOM-2208XP I/O modules. The full bandwidth of the I/O module must be utilized. Which two elements should be used in this environment? (Choose two.)

- A. eight twinax cables from each I/O module to each fabric interconnect
- B. four twinax cables from each I/O module to each fabric Interconnect
- C. Cisco UCS VIC 1225
- D. Cisco UCS M81KR
- E. Cisco UCS VIC 1280

Answer: ([SHOW ANSWER](#))

2208 has 8 uplinks. VIC 1225 only works on C-Series UCS. M81KR has only 2x10G ports. VIC 1280 has 8x10G ports.

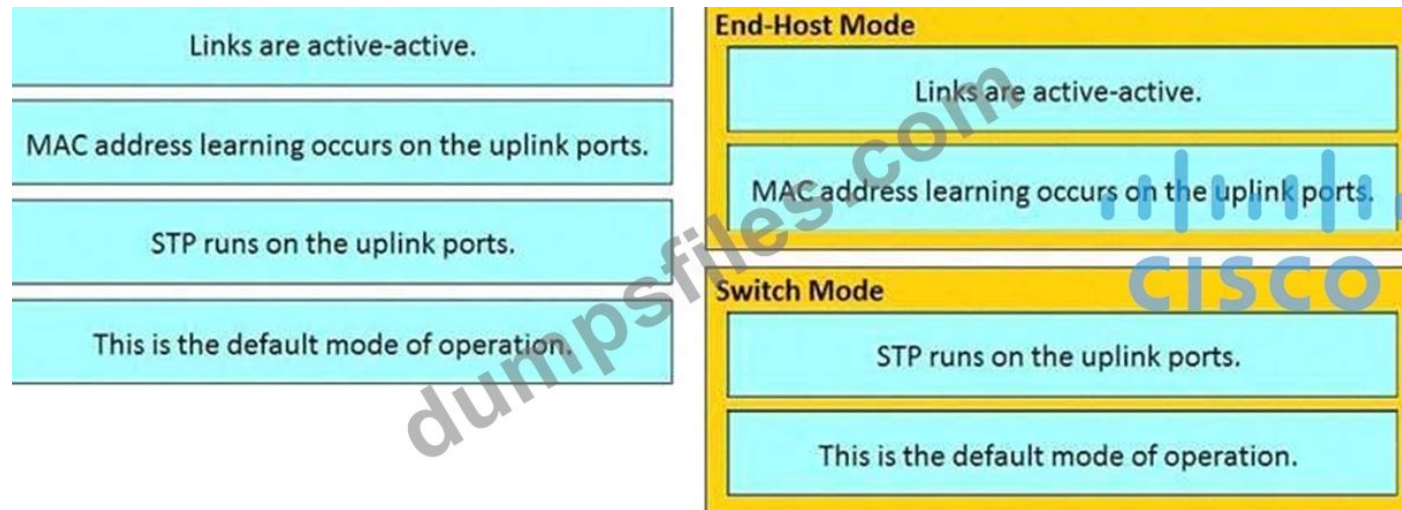
NEW QUESTION: 72

Drag and drop the feature descriptions from the left onto the correct UCS Fabric Interconnect modes on the right.

Links are active-active.	End-Host Mode
MAC address learning occurs on the uplink ports.	
STP runs on the uplink ports.	Switch Mode
This is the default mode of operation.	

Answer:

Links are active-active.	End-Host Mode Links are active-active.
MAC address learning occurs on the uplink ports.	MAC address learning occurs on the uplink ports.
STP runs on the uplink ports.	Switch Mode STP runs on the uplink ports.
This is the default mode of operation.	This is the default mode of operation.



NEW QUESTION: 73

A network engineer designs a Cisco Nexus data center network for a client-server farm using a pair of Nexus 9000 Series Switches in a vPC setup. Each server connects with two interfaces to both Nexus switches. The Nexus switches must always initiate the negotiation with the server. Which feature should be used in this design to ensure traffic is forwarded from the server to the data center network?

- A. LACP mode auto
- B. LACP mode active
- C. PAgP mode desirable
- D. PAgp mode auto

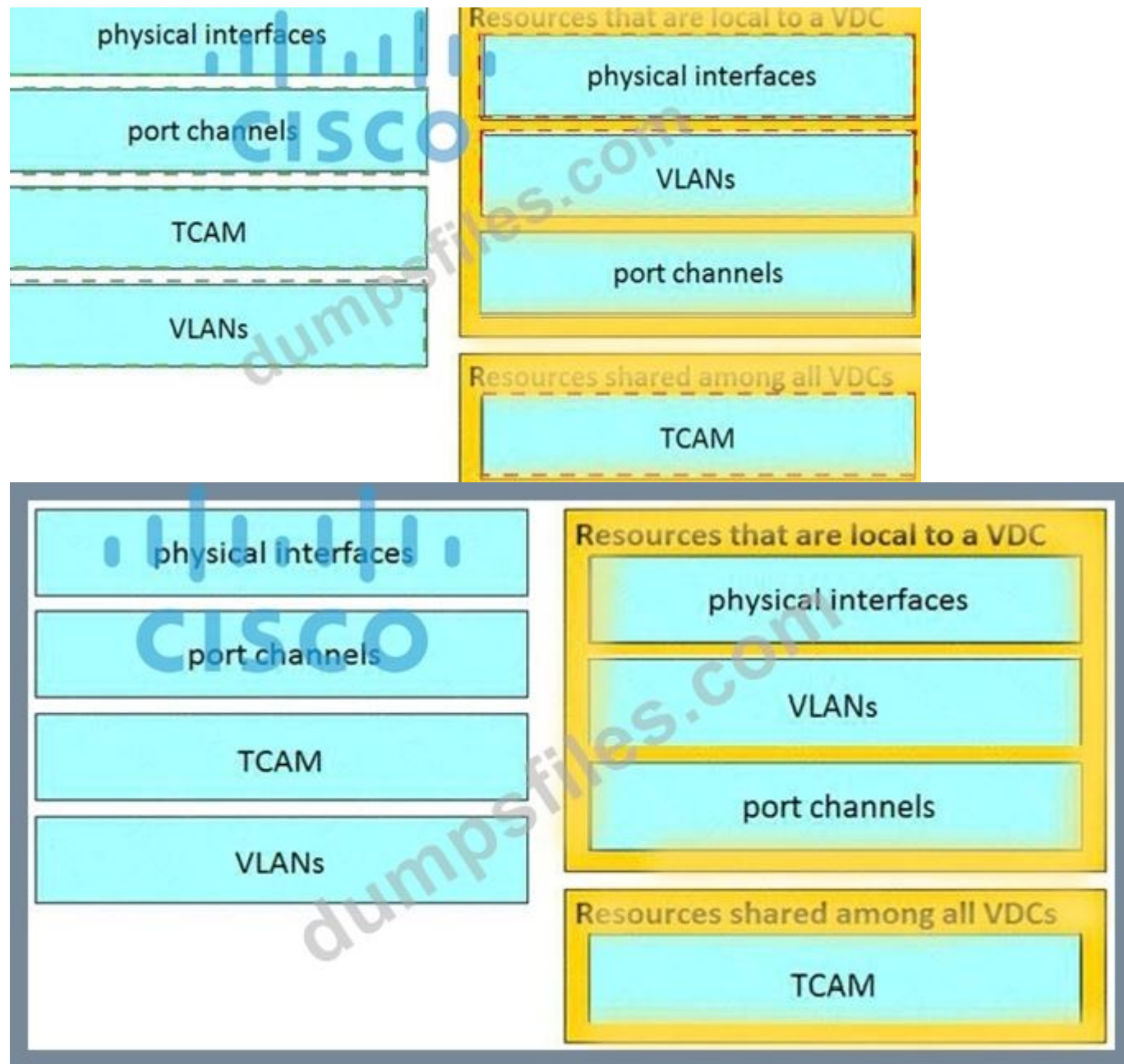
Answer: B (LEAVE A REPLY)

NEW QUESTION: 74

Drag and drop the Cisco Nexus 7000 Series Switch resources from the left onto the correct groups on the right.



Answer:



NEW QUESTION: 75

Which technology enables Layer 2 extension between remote data center sites?

- A. FCIP
- B. GRE
- C. DMVPN
- D. OTV

Answer: D (LEAVE A REPLY)

Section: Network Design

Explanation/Reference: <https://netcraftsmen.com/spanning-layer-2-between-data-centers/>

NEW QUESTION: 76

Drag and drop the configurations from the left onto the correct policies on the right.

Set the number of queues.	vNIC/vHBA Placement Policy
Set the RSS hash value.	
Assign each vCon to a physical adapter.	Ethernet Adapter Policy
Assign adapter order.	

Answer:

Set the number of queues.	vNIC/vHBA Placement Policy
Set the RSS hash value.	
Assign each vCon to a physical adapter.	Ethernet Adapter Policy
Assign adapter order.	

Set the number of queues.	vNIC/vHBA Placement Policy
Set the RSS hash value.	
Assign each vCon to a physical adapter.	Ethernet Adapter Policy
Assign adapter order.	

Valid 300-610 Dumps shared by TrainingDump.com for Helping Passing 300-610 Exam! TrainingDump.com now offer the **newest 300-610 exam dumps**, the TrainingDump.com 300-610 exam **questions have been updated** and **answers have been corrected** get the **newest** TrainingDump.com 300-610 dumps with Test Engine here: <https://www.trainingdump.com/Cisco/300-610-practice-exam-dumps.html> (260 Q&As Dumps, **40%OFF** Special Discount: **Exam-Tests**)

NEW QUESTION: 77

Refer to the exhibit.

```
Switch(config-sys-qos)# show policy-map system
  Type network-qos policy-maps
=====
policy-map type network-qos system
  class type network-qos class-fcoe
    match qos-group 1
    pause no-drop
    mtu 2000
  class type network-qos class-default
    match qos-group 0
    mtu 1500
Service-policy (qos) input: system
policy statistics status: disabled
Class-map (qos) : class fcoe (match-any)
  Match : cos 3
  set qos-group 1
Class-map (qos) : class-default (match-any)
  Match: any
  set qos-group 0
```

The FCoE packets fail to be forwarded through the switch. What is the minimum MTU QoS requirement for the FCoE to work?

- A. 2000 bytes
- B. 2158 bytes
- C. 2240 bytes
- D. 9000 bytes

Answer: ([SHOW ANSWER](#))

NEW QUESTION: 78

Which address pool is used when a vHBA template is created?

- A. MAC
- B. WWPN
- C. IP
- D. UUID

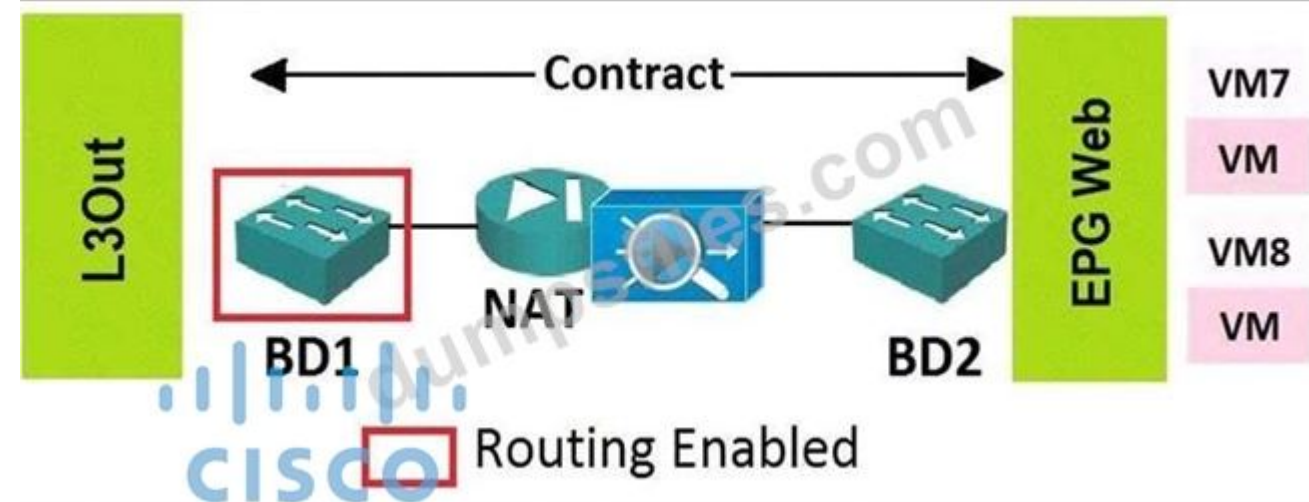
Answer: ([SHOW ANSWER](#))

Section: Automation Design

Explanation/Reference: https://www.cisco.com/c/en/us/td/docs/unified_computing/ucs/sw/gui/config/guide/2-1/b_UCSM_GUI_Configuration_Guide_2_1/b_UCSM_GUI_Configuration_Guide_2_1_chapter_011010.html

NEW QUESTION: 79

Refer to the exhibit.



What must be the default gateway of the servers in EPG Web?

- A. subnet address of L3Out
- B. subnet address of BD2
- C. subnet address of BD1
- D. NAT appliance

Answer: ([SHOW ANSWER](#))

NEW QUESTION: 80

An engineer designs a Cisco UCS solution that must provide guaranteed and deterministic bandwidth to a specific server in the environment. The solution must apply to network and storage traffic of C-Series and B-Series servers. Which solution should be included to meet these requirements?

- A. Pin the server ports of the service profile to dedicated uplink ports.
- B. Pin the vNICs and the vHBAs of the service profile to dedicated uplink ports.
- C. Pin the IOM ports of the service profile to dedicated server ports.
- D. Pin the vNICs and vHBAs of the service profile to dedicated server ports

Answer: B ([LEAVE A REPLY](#))

https://www.cisco.com/c/en/us/td/docs/unified_computing/ucs/sw/gui/config/guide/2-2/b_UCSM_GUI_Configuration_Guide_2_2/b_UCSM_GUI_Configuration_Guide_2_2_chapter_010.html#concept_7DE33CE2E37A47C6992C012D51CA37D4
Pinning

Pinning in Cisco UCS is only relevant to uplink ports. You can pin Ethernet or FCoE traffic from a given server to a specific uplink Ethernet port or uplink FC port.

When you pin the NIC and HBA of both physical and virtual servers to uplink ports, you give the fabric interconnect greater control over the unified fabric. This control ensures more optimal utilization of uplink port bandwidth.

Cisco UCS uses pin groups to manage which NICs, vNICs, HBAs, and vHBAs are pinned to an uplink port. To configure pinning for a server, you can either assign a pin group directly, or include a pin group in a vNIC policy, and then add that vNIC policy to the service profile assigned to that server. All traffic from the vNIC or vHBA on the server travels through the I/O module to the same uplink port.

- Guidelines for Pinning

Guidelines for Pinning

When you determine the optimal configuration for pin groups and pinning for an uplink port, consider the estimated bandwidth usage for the servers. If you know that some servers in the system will use a lot of bandwidth, ensure that you pin these servers to different uplink ports.

NEW QUESTION: 81

A network engineer is implementing Cisco UCS manager with Cisco UCS center integration. The company is strict security policies require that the logical profile of virtual network adapters and logical addressing assigned to Cisco UCS servers be managed by the Cisco UCS manager. The users must also be prevented from being able to acknowledge pending activities in the Cisco UCS manager. Which two profile must be used to meet these requirements? (Choose two.)

- A. Global maintenance
- B. Public network control
- C. Restricted chassis
- D. Local power
- E. Local service

Answer: A,E (LEAVE A REPLY)

https://www.cisco.com/c/en/us/td/docs/unified_computing/ucs/ucs-central/GUI-User-Guides/Operations/b_UCSC_Ops_Guide/b_UCSC_Ops_Guide_chapter_0111.html#id_16185

User Acknowledgment Behavior Explained

- Global service profiles with global maintenance policy:
 - Shows pending activities alert in Cisco UCS Manager, **cannot** acknowledge in Cisco UCS Manager.
 - Shows pending activities alert in Cisco UCS Central, can acknowledge in Cisco UCS Central.
- Local service profiles with global maintenance policy:
 - Shows pending activities in Cisco UCS Manager, **cannot** acknowledge in Cisco UCS Manager.
 - Shows in Cisco UCS Central pending activities, must acknowledge in Cisco UCS Central.
- Local service profile with local maintenance policy (UCS domain registered with Cisco UCS Central):
 - Shows pending activities in Cisco UCS Manager, can acknowledge in Cisco UCS Manager.
 - Shows in Cisco UCS Central pending activities, can acknowledge in Cisco UCS Central.

NEW QUESTION: 82

An engineer must use OTV for layer 2 connectivity between data centers to support virtual machine between the customer sites. To support this requirement, the engineer must ensure the existence of the same default gateway on both sites. Additionally, the operations team report high bandwidth utilization on site A and wants to optimize the outbound traffic flows to use a DC exit point. Which feature must be used to meet these requirement?

- A. FHRP filter
- B. Control group
- C. Data group
- D. ARP filter

Answer: A (LEAVE A REPLY)

https://www.cisco.com/c/dam/en/us/products/collateral/switches/nexus-7000-series-switches/guide_c07-728315.pdf

It is critical that you **enable the filtering of FHRP messages** across the overlay because it allows the use of the same FHRP configuration in different sites. The end result is that the same default gateway is available, and it is characterized by the same virtual IP and virtual MAC addresses in each data center. Thus the **outbound traffic will be able to follow the optimal and shortest path, always using the local default gateway.**

The appendix has a sample configuration that can be copied into your Nexus 7000 Series in order to utilize this feature.

NEW QUESTION: 83

A Cisco UCS instance has four interfaces on a UCS VIC. Where on the fabric interconnect does each interface terminate?

- A. vPC

- B. virtual interface
- C. port channel
- D. physical port

Answer: B (LEAVE A REPLY)

Section: Compute Design

Explanation/Reference: <https://www.cisco.com/c/dam/en/us/products/collateral/servers-unified-computing/ucs-6300-series-fabric-interconnects/cisco-unified-fabric.pdf>

NEW QUESTION: 84

Which two vSphere features must be included in the design of a Cisco HyperFlex systems stretched cluster? (Choose two.)

- A. VDP
- B. FT
- C. HA
- D. DRS
- E. VSS

Answer: C,D (LEAVE A REPLY)

NEW QUESTION: 85

An engineer is expanding an existing iSCSI environment and must choose an addressing scheme. When checking one of the devices, the engineer discovers this target device naming used {prefix}. 2019-01.com.acme.123:00.ftd0cb21.bcb389458389

Which addressing scheme was used in the environment?

- A. Network Address Authority
- B. Extended Unique identifier
- C. iSCSI Qualified Name
- D. Fibre Channel ID

Answer: C (LEAVE A REPLY)

NEW QUESTION: 86

Drag and drop the configurations from the left onto the correct policies on the right.

Set the number of queues.

Set the RSS hash value.

Assign each vCon to a physical adapter.

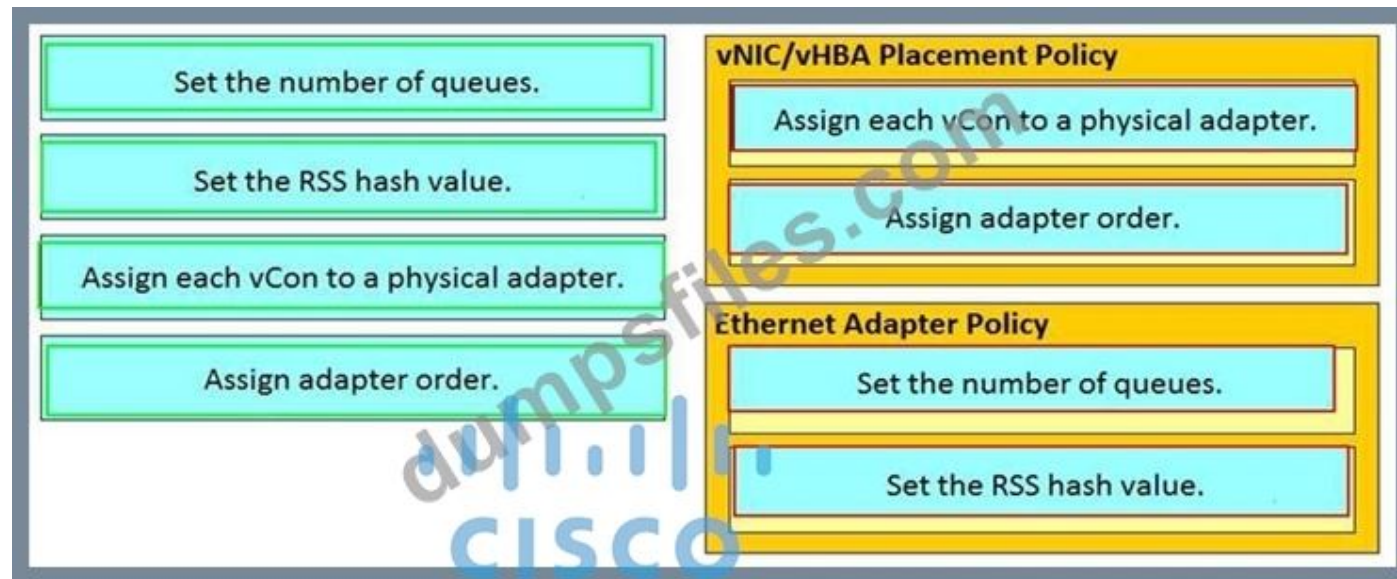
Assign adapter order.

vNIC/vHBA Placement Policy

Ethernet Adapter Policy

CISCO

Answer:



NEW QUESTION: 87

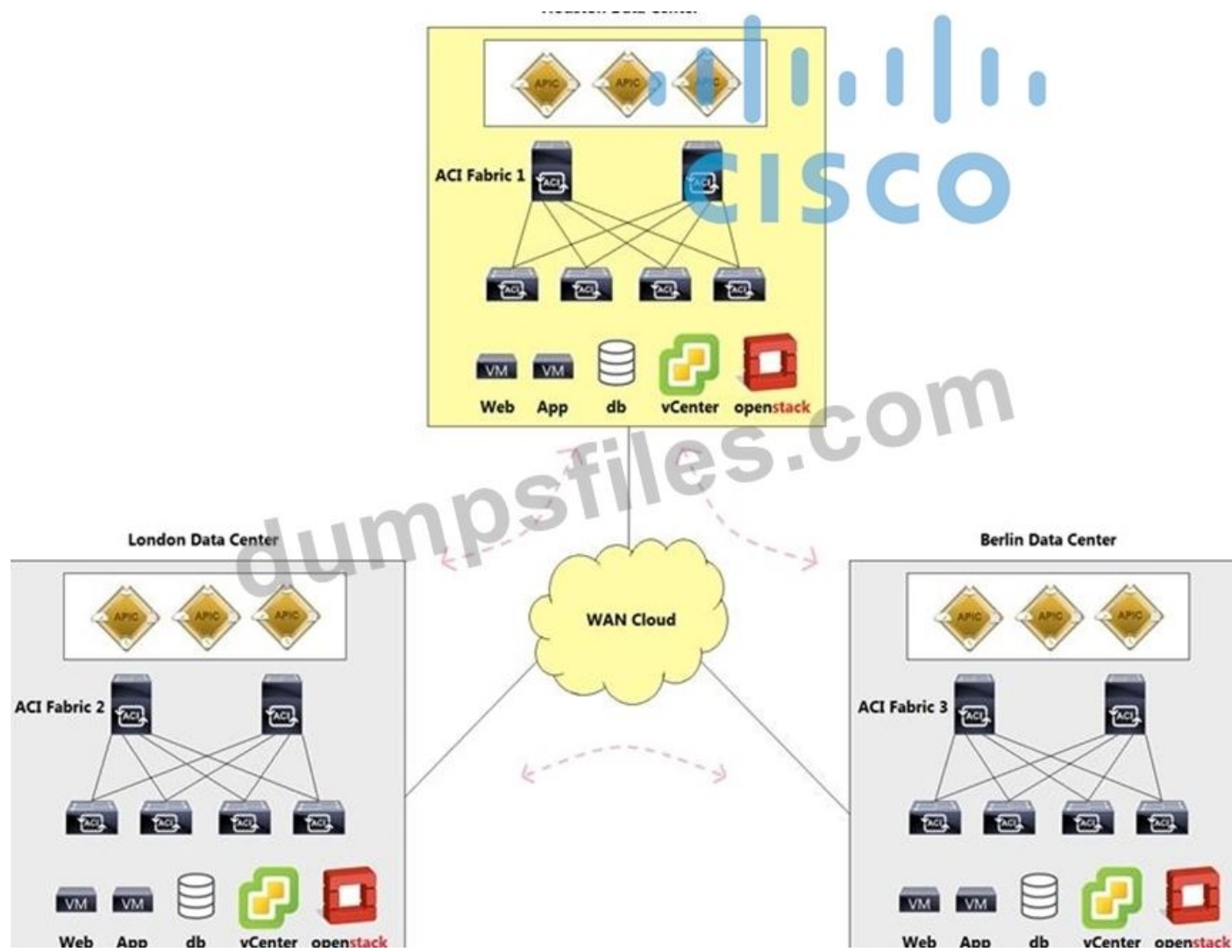
Which factor determines the choice of platform designing a Cisco HyperFlex infrastructure to support computer-aided design applications?

- A. storage capacity
- B. processor count
- C. GPU support
- D. network speed

Answer: A ([LEAVE A REPLY](#))

NEW QUESTION: 88

Refer to the exhibit.



A cloud service provider deployed three geographically separated Cisco ACI data centers. One of the customers needs to host a clustered application that is spread across the three data centers. The cluster nodes that host the application need a Layer 2 topology to communicate with each other.

Which Cisco ACI topology design meets these requirements?

- A. Multi-Pod over OSPF EVPN
- B. Multi-Site
- C. Multi-Pod over MP-BGP EVPN
- D. Multi-Cloud

Answer: C ([LEAVE A REPLY](#))

NEW QUESTION: 89

Drag the requirements from the left onto the correct policy types on the right.

Support tagging policies.	Cisco Intersight Global Policy
Scrub disks on disassociation.	
Synchronize server power state.	
Create a utility partition on a SD card.	Cisco UCS Manager Local Policy
Implement Hypervisor password policies.	

Answer:

Support tagging policies.	Cisco Intersight Global Policy
Scrub disks on disassociation.	
Synchronize server power state.	
Create a utility partition on a SD card.	Cisco UCS Manager Local Policy
Implement Hypervisor password policies.	

NEW QUESTION: 90

Which two methods mitigate congestion in a SAN network? (Choose two.)

- A. Configure ER_RDY to allow splitting of each ISL between switches into separate virtual links.
- B. Use the port-monitor command to detect slow drain devices.
- C. Configure the port channel to enable individual buffer-to-buffer credits.
- D. Configure the port monitor to allow categorization of a specific device as slow.
- E. Configure the flow control for the FC to use R_RDY.

Answer: B,D (LEAVE A REPLY)

Reference:

NEW QUESTION: 91

Drag the requirements from the left onto the correct policy types on the right.

Support tagging policies.	Cisco Intersight Global Policy
Scrub disks on disassociation.	
Synchronize server power state.	
Create a utility partition on a SD card.	
Implement Hypervisor password policies.	
	Cisco UCS Manager Local Policy

Answer:

Support tagging policies.	Cisco Intersight Global Policy Implement Hypervisor password policies. Synchronize server power state. Support tagging policies.
Scrub disks on disassociation.	
Synchronize server power state.	
Create a utility partition on a SD card.	Cisco UCS Manager Local Policy Scrub disks on disassociation. Create a utility partition on a SD card.
Implement Hypervisor password policies.	

Valid 300-610 Dumps shared by TrainingDump.com for Helping Passing 300-610 Exam! TrainingDump.com now offer the **newest 300-610 exam dumps**, the TrainingDump.com 300-610 exam **questions have been updated** and **answers have been corrected** get the **newest** TrainingDump.com 300-610 dumps with Test Engine here: <https://www.trainingdump.com/Cisco/300-610-practice-exam-dumps.html> (260 Q&As Dumps, **40%OFF** Special Discount: **Exam-Tests**)

NEW QUESTION: 92

Which two statements describe Ethernet switching mode on Cisco UCS 6100 Series Fabric Interconnects?

(Choose two.)

- A. The STP parameter configuration is unsupported.
- B. STP runs on the uplink ports of each VLAN, as defined by MSTP.
- C. STP runs on the server ports.
- D. The STP parameter configuration is supported.
- E. STP runs on the uplink ports of each VLAN, as defined by PVSTP+.

Answer: A,E ([LEAVE A REPLY](#))

NEW QUESTION: 93

Drag and drop the configurations from the left onto the correct policies on the right.

Set the number of queues.

Set the RSS hash value.

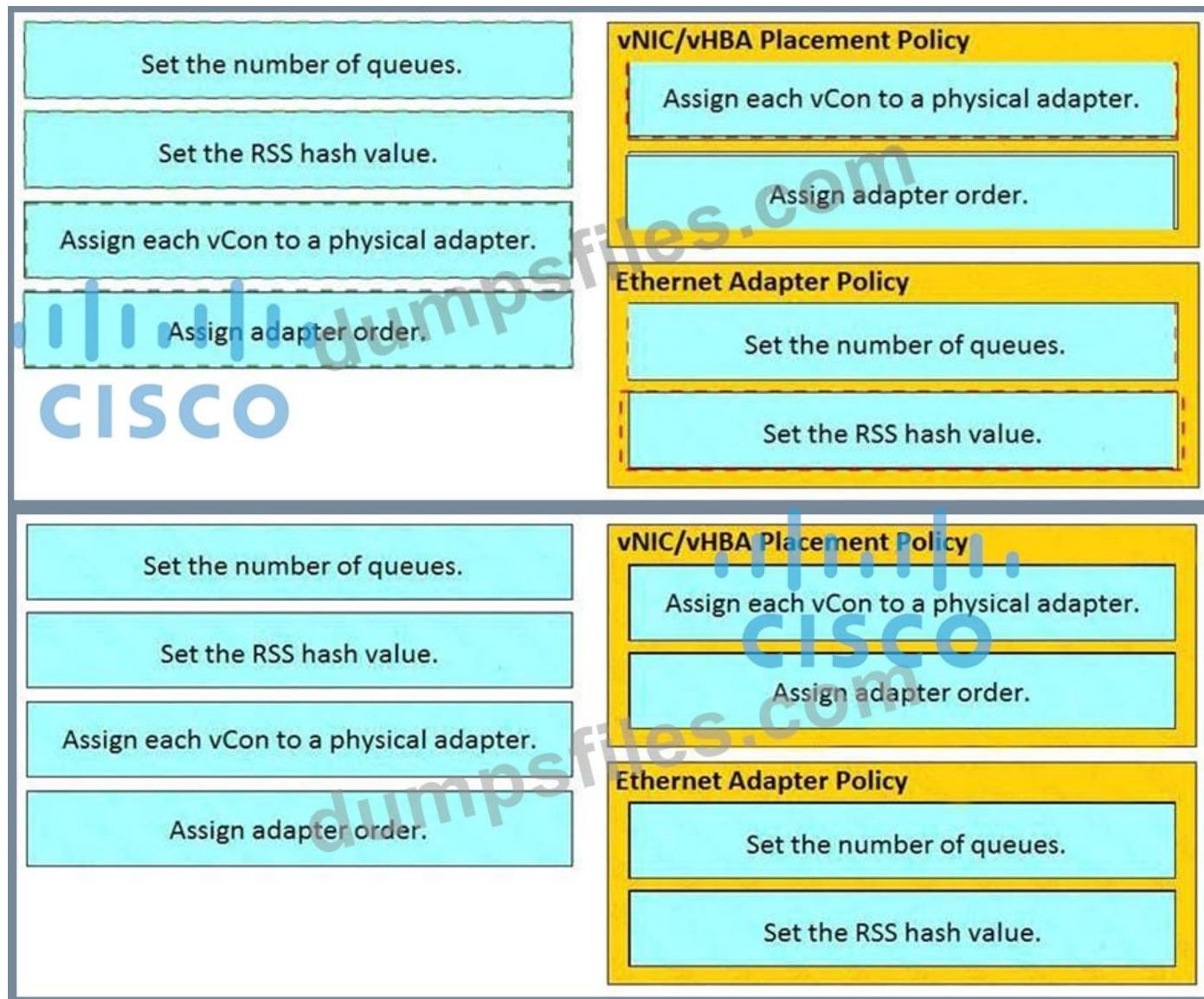
Assign each vCon to a physical adapter.

Assign adapter order.

vNIC/vHBA Placement Policy

Ethernet Adapter Policy

Answer:



NEW QUESTION: 94

Which two methods mitigate congestion in a SAN network? (Choose two.)

- A. Configure ER_RDY to allow splitting of each ISL between switches into separate virtual links.
- B. Use the port-monitor command to detect slow drain devices.
- C. Configure the port channel to enable individual buffer-to-buffer credits.
- D. Configure the port monitor to allow categorization of a specific device as slow.
- E. Configure the flow control for the FC to use R_RDY.

Answer: B,D (LEAVE A REPLY)

Section: Storage Network Design

Explanation/Reference: https://www.cisco.com/c/en/us/td/docs/switches/datacenter/mds9000/sw/8_x/config/interfaces/cisco_mds9000_interfaces_config_guide_8x/congestion_avoidance_isolation.html

NEW QUESTION: 95

An engineer seeks a solution to retrieve routing information from Cisco Nexus switches. The data must be exported to a web application in a JSON or XML data format for monitoring and must be encrypted during transmission. The solution must not require extensive knowledge to support and should be simple to implement.

Which technology accomplishes these goals?

- A. Python scripts

- B. streaming telemetry
- C. Cisco Tetration
- D. NX-API

Answer: B ([LEAVE A REPLY](#))

NEW QUESTION: 96

What is the disadvantage of asynchronous storage replication as compared to synchronous storage replication in a disaster recovery design?

- A. reduction in application performance
- B. distance limitations
- C. specific backup requirements
- D. potential data loss

Answer: D ([LEAVE A REPLY](#))

Section: Storage Network Design

Explanation/Reference: <https://www.evidian.com/products/high-availability-software-for-application-clustering/synchronous-replication-vs-asynchronous-replication/>

NEW QUESTION: 97

A network architect proposes a distinct Fibre Channel fabric to be used for a Cisco UCS blade server that hosts critical applications. Which action should be implemented for the fibre Channel traffic from the vHBA of this service to pass through the I/O module in the Cisco chassis to a specified uplink Fibre Channel port?

- A. Include a SAN pin group in the vHBA policy.
- B. Update the applied Fibre Channel adapter policy.
- C. Update the applied global QoS policy.
- D. Enable persistent binding in the vHBA policy.

Answer: ([SHOW ANSWER](#))

https://www.cisco.com/c/en/us/td/docs/unified_computing/ucs/ucs-manager/GUI-User-Guides/Storage-Mgmt/3-2/b_UCSM_GUI_Storage_Management_Guide_3_2/b_UCSM_GUI_Storage_Management_Guide_3_2_chapter_0110.pdf

SAN Pin Groups

Cisco UCS uses SAN pin groups to pin Fibre Channel traffic from a vHBA on a server to an uplink Fibre Channel port on the fabric interconnect. You can use this pinning to manage the distribution of traffic from the servers.

NEW QUESTION: 98

Which approach splits a pair of clustered fabric interconnects into two standalone devices?

- A. Run the disable fips-mode command on each fabric interconnect.
- B. Run the connect local-management command on each fabric interconnect.
- C. Erase the configuration of both fabric interconnects.
- D. Unplug the Layer 1 and Layer 2 interfaces between the devices.

Answer: D ([LEAVE A REPLY](#))

Section: Compute Design

NEW QUESTION: 99

A network engineer is implementing Cisco UCS Manager with Cisco UCS Central integration. The company's strict security policies require that the logical profile of virtual network adapters and logical addressing assigned to Cisco UCS servers be managed by the Cisco UCS Manager. The users must also be prevented from being able to acknowledge pending activities in the Cisco UCS Manager.

Which two profiles must be used to meet these requirements? (Choose two.)

- A. restricted chassis
- B. local power
- C. global maintenance
- D. local service
- E. public network control

Answer: ([SHOW ANSWER](#))

NEW QUESTION: 100

An engineer must interconnect two geographically separated data centers. The service provide offers a Layer 2 metro Ethernet link. The strict security policy requires that the information that is shared between two sites must be sent encrypted. The application deployed between sites requires a line-rate throughput regardless of the packet size and speed. Which solution meets these requirements?

- A. IPsec
- B. MACsec
- C. L2TPv2
- D. L2TPv3

Answer: ([SHOW ANSWER](#))

<https://www.cisco.com/c/dam/en/us/td/docs/solutions/Enterprise/Security/MACsec/WP-High-Speed-WAN-Encrypt-MACsec.pdf>

Furthermore, if the deployment requires that all traffic leaving/traversing the router must be encrypted, the overall throughput of the router is now restricted to the performance of the IPsec engine which, in most cases, can be a fraction of the router's aggregate forwarding capabilities. This is a huge factor from an economics perspective of cost per bit through the router and MACsec changes the encryption cost per bit through routing elements. For deployments requiring encryption and the capability of leveraging an Ethernet transport (public or private), **MACsec offers a simplified, line-rate, per port encryption** option for secure next-generation deployments.

NEW QUESTION: 101

Which orchestration tool should be used for the management and analytics of servers across multiple sites?

- A. Cisco Intersight
- B. Cisco Nexus Fabric Manager
- C. Cisco UCS Manager
- D. Cisco Data Center Network Manager

Answer: A ([LEAVE A REPLY](#))

Section: Automation Design

Explanation/Reference: https://www.cisco.com/c/en_in/products/servers-unified-computing/intersight/index.html

NEW QUESTION: 102

An engineer manages hundreds of Cisco Nexus Series and 9000 Series Switches that are installed at several data centers and wants to use one of the built-in automation tools of the Cisco NX-OS Guest Shell to automate daily activities. The engineer requires a tool that uses imperative language, has extensive support, and is object-oriented. Which automation tool should be used to meet these requirements?

- A. Python
- B. Bash

C. YAML

D. Perl

Answer: A (LEAVE A REPLY)

Python is object-oriented and imperative language.

YAML is declarative.

NEW QUESTION: 103

An engineer wants to eliminate the manual process of checking the system hardware and firmware against a specified hardware compatibility tool. The tool must be able to manage an extensive list of devices including cisco HyperFlex, MDS, and Nexus switches. The tool must manage hardware in multiple data centers so it should be deployed on public cloud infrastructure. Which tool meets these requirements?

A. Cisco intersight

B. Cisco tetration

C. Cisco UCS director

D. Cisco data center network manager

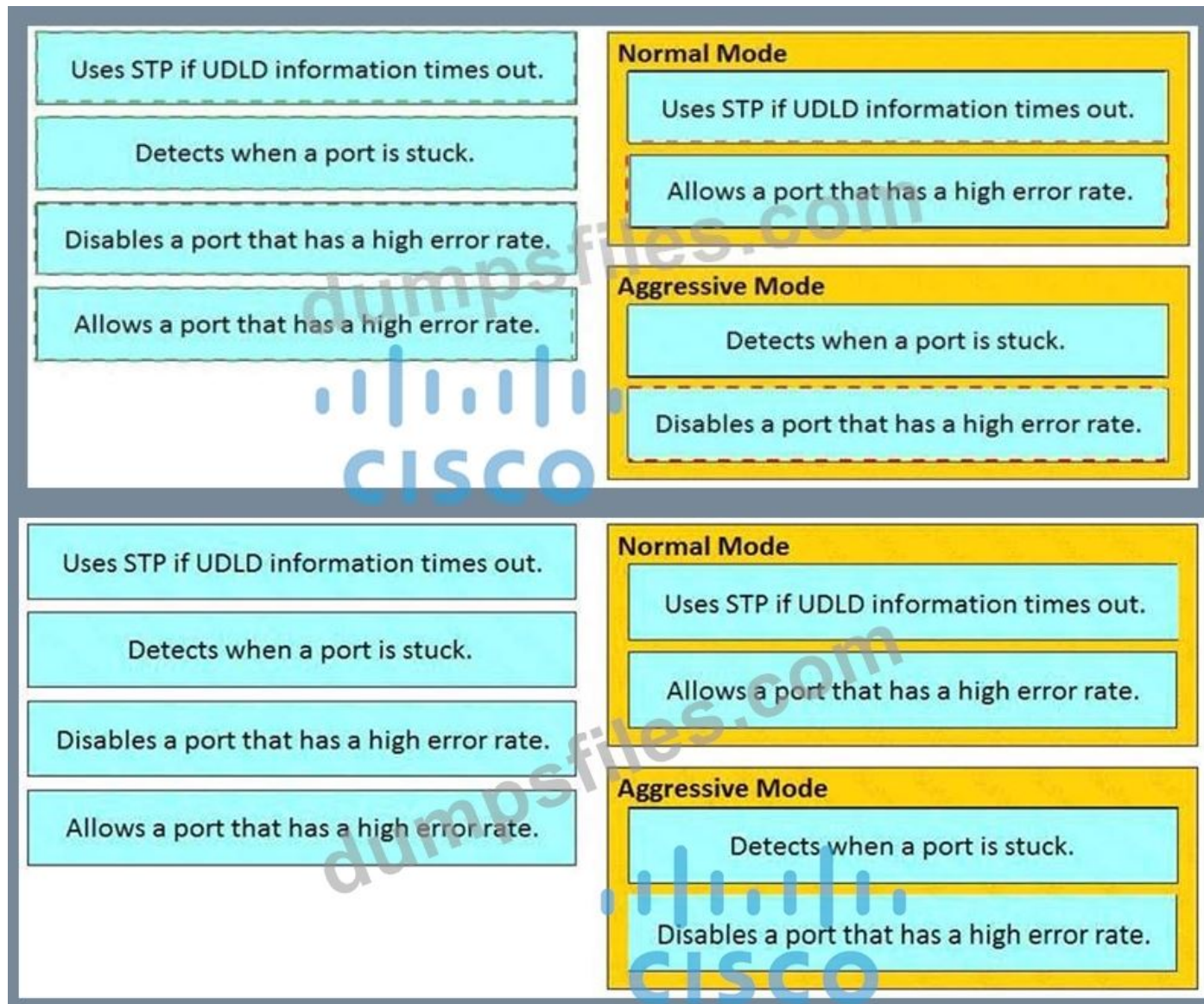
Answer: A (LEAVE A REPLY)

NEW QUESTION: 104

Drag the appropriate from the left onto the current UDLD modes of operation on the right.

Uses STP if UDLD information times out.	Normal Mode
Detects when a port is stuck.	
Disables a port that has a high error rate.	Aggressive Mode
Allows a port that has a high error rate.	

Answer:



NEW QUESTION: 105

Which element is the main functional component of the architecture that separates the internal fabric and the external network that connects sites when VXLAN EVPN is deployed multisite?

- A. border gateway
- B. service leaf
- C. service gateway
- D. border leaf

Answer: (SHOW ANSWER)

NEW QUESTION: 106

An engineer must design a VXLAN EVPN network. The solution should optimize broadcast, unknown unicast, and multicast (BUM) and short BUM replication, and use PIM anycast RP. Which solution should be included in the design?

- A. PIM dense mode
- B. head-end replication
- C. PIM sparse mode
- D. ingress replication

Answer: C (LEAVE A REPLY)

Valid 300-610 Dumps shared by TrainingDump.com for Helping Passing 300-610 Exam! TrainingDump.com now offer the **newest 300-610 exam dumps**, the TrainingDump.com 300-610 exam **questions have been updated** and **answers have been corrected** get the **newest** TrainingDump.com 300-610 dumps with Test Engine here: <https://www.trainingdump.com/Cisco/300-610-practice-exam-dumps.html> (260 Q&As Dumps, **40%OFF Special Discount: Exam-Tests**)

NEW QUESTION: 107

A network engineer must select a high availability feature for their data center. The solution must ensure network resilience, reduce network instability for Layer 3 routing protocols, and meet these requirements:

The device must notify its neighbors when the control plane is undergoing a restart.

The solution must suppress routing flaps in case of stateful switchovers.

Which solution must be implemented?

- A. NSF
- B. HSRP
- C. BFD
- D. ISSU

Answer: A ([LEAVE A REPLY](#))

NEW QUESTION: 108

Which factor determines the choice of platform designing a Cisco HyperFlex infrastructure to support computer-aided design applications?

- A. network speed
- B. GPU support
- C. storage capacity
- D. processor count

Answer: C ([LEAVE A REPLY](#))

Section: Storage Network Design

NEW QUESTION: 109

An engineer enables the HSRP feature on a Cisco Nexus 7000 Series Switch. It must be ensured that the switch manages packets that are sent to the local vPC MAC address, remote vPC MAC address, and HSRP virtual MAC address.

Which command accomplishes this goal?

- A. peer-gateway
- B. hsrp preempt
- C. peer-switch
- D. map-server

Answer: B ([LEAVE A REPLY](#))

NEW QUESTION: 110

DRAG DROP

Drag and drop the feature descriptions from the left onto the correct UCS Fabric Interconnect modes on the right.

Select and Place:

Links are active-active.	End-Host Mode
MAC address learning occurs on the uplink ports.	
STP runs on the uplink ports.	Switch Mode
This is the default mode of operation.	

Answer:

Links are active-active.	End-Host Mode
MAC address learning occurs on the uplink ports.	Links are active-active.
STP runs on the uplink ports.	MAC address learning occurs on the uplink ports.
This is the default mode of operation.	Switch Mode
	STP runs on the uplink ports.
	This is the default mode of operation.

Section: Compute Design

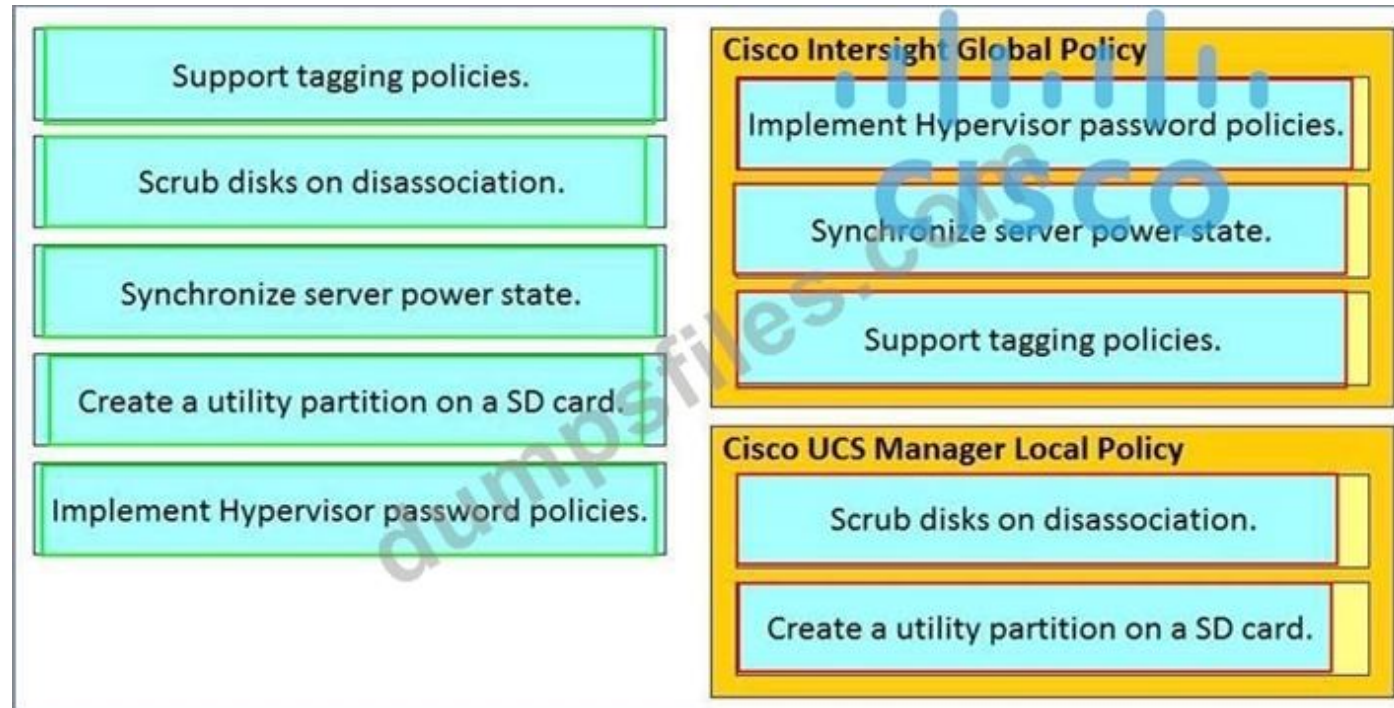
Explanation/Reference: https://www.cisco.com/c/en/us/solutions/collateral/data-center-virtualization/unified-computing/whitepaper_c11-701962.html

NEW QUESTION: 111

Drag the requirements from the left onto the correct policy types on the right.

Support tagging policies.	Cisco Intersight Global Policy
Scrub disks on disassociation.	
Synchronize server power state.	
Create a utility partition on a SD card.	Cisco UCS Manager Local Policy
Implement Hypervisor password policies.	

Answer:



NEW QUESTION: 112

An engineer must connect a Cisco UCS B-Series based system to an existing large storage area network fabric. The deployment must support hardware-based load balancing, prevent Fibre Channel domain ID exhaustion, and enable all blade servers to be in the same VSAN. Which set of actions meets the requirements?

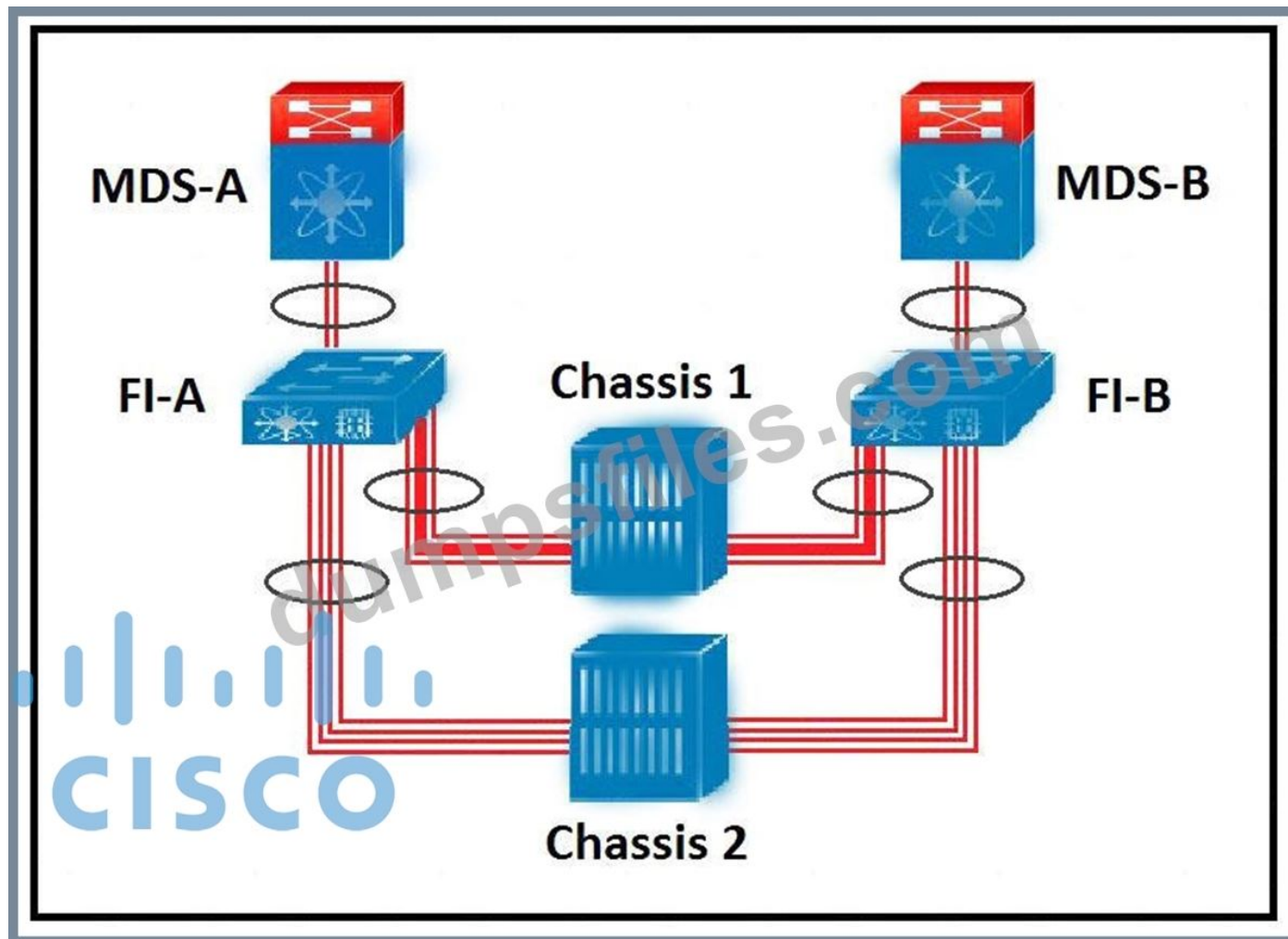
- Place all interfaces that face the fabric interconnects in the same VSAN.
• Disable zoning for the VSAN.
- Connect the fabric interconnect to the E Ports on the SAN switch.
• Create a SAN port channel.
- Enable Fibre Channel end-host mode on the fabric interconnect and NPIV mode on the SAN switch.
• Create an F Port channel that faces the fabric interconnect.
- Configure Ethernet end-host automatic load balancing on the fabric interconnect.
• Set NL port mode on the SAN switch.

- A. Option D
- B. Option B
- C. Option A
- D. Option C

Answer: ([SHOW ANSWER](#))

NEW QUESTION: 113

Refer to the exhibit.



An engineer must assign multiple Fibre Channel IDs to a single port channel. Which two features must be enabled this goal? (Choose two.)

- A. SAN Pin Groups on the Cisco UCS Fabric Interconnects.
- B. end-host mode feature on the Cisco UCS Fabric Interconnects
- C. NPIV feature on the Cisco MDS Series
- D. Smart Zoning feature on the Cisco UCS Fabric Interconnects
- E. NPV feature on the Cisco MDS Series.

Answer: C,E ([LEAVE A REPLY](#))

NEW QUESTION: 114

Which two configuration methods can be used to deploy QoS to Cisco MDS Series switches? (Choose two.)

- A. zone-based QoS
- B. multiple QoS policies that match individual devices
- C. VSAN-based QoS
- D. FCoE VLAN-based QoS
- E. multiple QoS policies that match multiple devices

Answer: ([SHOW ANSWER](#))

Section: Storage Network Design

Explanation/Reference: https://www.cisco.com/c/en/us/td/docs/switches/datacenter/mds9000/sw/7_3/configuration/qos/cisco_mds9000_qos_config_guide/configuring_qos.html

NEW QUESTION: 115

Which two statements describe Ethernet switching mode on Cisco UCS 6100 Series Fabric Interconnects?

(Choose two.)

- A. STP runs on the uplink ports of each VLAN, as defined by PVSTP+.
- B. STP runs on the uplink ports of each VLAN, as defined by MSTP.
- C. The STP parameter configuration is unsupported.
- D. The STP parameter configuration is supported.
- E. STP runs on the server ports.

Answer: ([SHOW ANSWER](#))

Section: Compute Design

Explanation/Reference: https://www.cisco.com/c/en/us/solutions/collateral/data-center-virtualization/unified-computing/whitepaper_c11-701962.html

NEW QUESTION: 116

An engineer manages a multi-organization Cisco UCS fabric and requires a solution to streamline the daily operational tasks of creating service profile templates. The operations team is unfamiliar with programming languages and must have a solution that is written in an easy-to-read and declarative manner. The operations team also requires the tool to be flexible enough to support the creation of custom modules. The development team is familiar with the Python programming language and can develop these custom modules for the operations team. Which tool meets these requirements?

- A. Chef
- B. Puppet
- C. CFEngine
- D. Ansible

Answer: D ([LEAVE A REPLY](#))

NEW QUESTION: 117

An engineer must implement a WWPN pool for the vHBA template inside the Cisco UCS Manager. The template is used to connect a Cisco UCS B-Series blade to an external storage array.

Which addressing sequence accomplishes this goal?

- A. from 192.168.1.1 to 192.168.1.254
- B. from 20:00:00:00:00:00:00:00 to 20:FF:FF:FF:FF:FF:FF:FF
- C. from 00:0A:E6:3E:00:00 to 00:0A:E6:3E:00:FF
- D. from iqn.2020-c41i4p21y5a165.lab.ucs-00 to iqn.2020-ceiD1pj5y135-8.lab.ucs-FF

Answer: B ([LEAVE A REPLY](#))

NEW QUESTION: 118

Drag and drop the feature descriptions from the left onto the correct UCS Fabric Interconnect modes on the right.

Links are active-active.	End-Host Mode
MAC address learning occurs on the uplink ports.	
STP runs on the uplink ports.	Switch Mode
This is the default mode of operation.	

Answer:

Links are active-active.	End-Host Mode
MAC address learning occurs on the uplink ports.	Links are active-active.
STP runs on the uplink ports.	MAC address learning occurs on the uplink ports.
This is the default mode of operation.	Switch Mode
	STP runs on the uplink ports.
	This is the default mode of operation.

NEW QUESTION: 119

What is an advantage of using OTV as compared to VPLS for data center redundancy?

- A. prevents loops on point-to-point links
- B. provides head-end replication
- C. uses a proactive MAC advertisement
- D. provides full-mesh connectivity

Answer: A (LEAVE A REPLY)

Section: Network Design

Explanation/Reference: <https://community.cisco.com/t5/data-center-documents/understanding-overlay-transport-virtualization-otv/ta-p/3151502#toc-hId-1043251551>

NEW QUESTION: 120

An engineer installs a B-Series server in a Cisco UCS chassis that contains a pair of UCS-IOM-2208XP I/O modules. The full bandwidth of the I/O module must be utilized.

Which two elements should be used in this environment? (Choose two.)

- A. Cisco UCS VIC 1280
- B. four twinax cables from each I/O module to each fabric interconnect
- C. eight twinax cables from each I/O module to each fabric interconnect
- D. Cisco UCS M81KR
- E. Cisco UCS VIC 1225

Answer: A,C ([LEAVE A REPLY](#))

NEW QUESTION: 121

A company has several data centers with hundreds of Cisco UCS blade chassis. A network consultant plans to active Cisco Discovery Protocol to the servers to facilitate Layer 1 troubleshooting. For security reasons, the company wants to restrict the servers from sending different MAC addresses to the fabric interconnect after the MAC address from the first packet is learned. Which two policies be modified to support this design? (Choose two.)

- A. Pin Group Policy
- B. Network Control Policy
- C. vNIC Policy
- D. vNIC Template Policy
- E. Ethernet Adapter

Answer: B,D ([LEAVE A REPLY](#))

Reference:

https://www.cisco.com/c/en/us/td/docs/unified_computing/ucs/ucs-manager/GUI-User-Guides/Network-Mgmt/4-0/b_UCSM_Network_Mgmt_Guide_4_0/b_UCSM_Network_Mgmt_Guide_4_0_chapter_01010.html

<https://jeremywaldrop.wordpress.com/2010/05/03/how-to-enable-cdp-on-cisco-ucs-vnics/>

Creating a Network Control Policy

MAC address-based port security for Emulex converged Network Adapters (N20-AE0102) is not supported. When MAC address-based port security is enabled, the fabric interconnect restricts traffic to packets that contain the MAC address that it first learns. This is either the source MAC address used in the FCoE Initialization Protocol packet, or the MAC address in an ethernet packet, whichever is sent first by the adaptor. This configuration can result in either FCoE or Ethernet packets being dropped.

Procedure

- Step 1** In the Navigation pane, click **LAN**.
- Step 2** Expand **LAN** > **Policies**.
- Step 3** Expand the node for the organization where you want to create the policy.
If the system does not include multitenancy, expand the **root** node.
- Step 4** Right-click the **Network Control Policies** node and select **Create Network Control Policy**.
- Step 5** In the Create Network Control Policy dialog box, complete the required fields.
- Step 6** In the LLDP area, do the following:
 - a. To enable the transmission of LLDP packets on an interface, click **Enabled** in the **Transmit** field.
 - b. To enable the reception of LLDP packets on an interface, click **Enabled** in the **Receive** field.
- Step 7** In the **MAC Security** area, do the following to determine whether the server can use different MAC addresses when sending packets to the fabric interconnect:
 - a. Click the **Expand** icon to expand the area and display the radio buttons.
 - b. Click one of the following radio buttons to determine whether forged MAC addresses are allowed or denied when packets are sent from the server to the fabric interconnect:
 - **Allow**— All server packets are accepted by the fabric interconnect, regardless of the MAC address associated with the packets.
 - **Deny**— After the first packet has been sent to the fabric interconnect, all other packets must use the same MAC address or they will be silently rejected by the fabric interconnect. In effect, this option enables port security for the associated vNIC.

If you plan to install VMware ESX on the associated server, you must configure the **MAC Security** to **allow** for the network control policy applied to the default vNIC. If you do not configure **MAC Security** for **allow**, the ESX installation may fail because the MAC security permits only one MAC address while the installation process requires more than one MAC address.

Note Cisco UCS Manager Release 4.0(2) introduces support for **MAC Security** on Cisco UCS 6454 Fabric Interconnects.

The next step is to apply the new policy to the ESX vNICs. If you are using updating vNIC templates then all you need to do is go to each vNIC template for your ESX vNICs select the new policy from the Network Control Policy drop down. If you are not using vNIC templates but you are using an updating Service Profile Template then you can enable it there. If you are using one-off Service Profiles are a non-updating Service Profile then you must go to every Service Profile and enable this new policy on every vNIC.

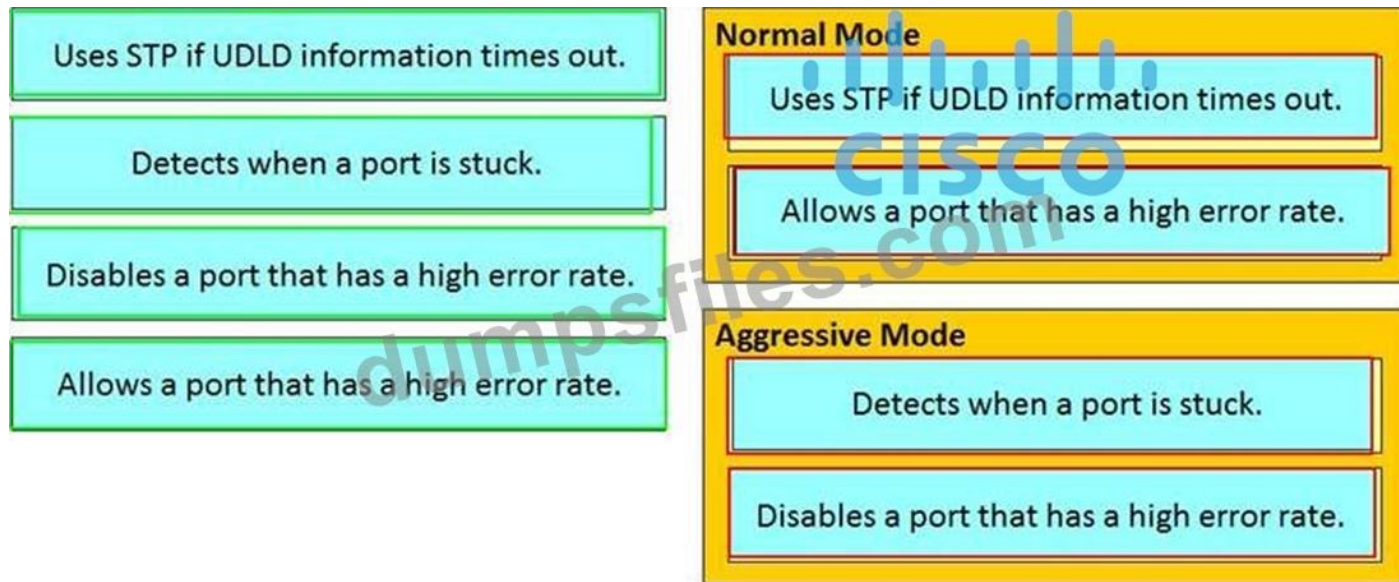
Valid 300-610 Dumps shared by TrainingDump.com for Helping Passing 300-610 Exam! TrainingDump.com now offer the **newest 300-610 exam dumps**, the TrainingDump.com 300-610 exam **questions have been updated and answers have been corrected** get the **newest** TrainingDump.com 300-610 dumps with Test Engine here: <https://www.trainingdump.com/Cisco/300-610-practice-exam-dumps.html> (260 Q&As Dumps, **40%OFF Special Discount: Exam-Tests**)

NEW QUESTION: 122

Drag the appropriate from the left onto the current UDLD modes of operation on the right.

Uses STP if UDLD information times out.	Normal Mode
Detects when a port is stuck.	
Disables a port that has a high error rate.	Aggressive Mode
Allows a port that has a high error rate.	

Answer:



NEW QUESTION: 123

An engineer wants to eliminate the manual process of checking the system hardware and firmware against a specified hardware compatibility tool. The tool must be able to manage an extensive list of devices including Cisco HyperFlex, MDS, and Nexus switches. The tool must manage hardware in multiple data centers so it should be deployed on public cloud infrastructure.

Which tool meets these requirements?

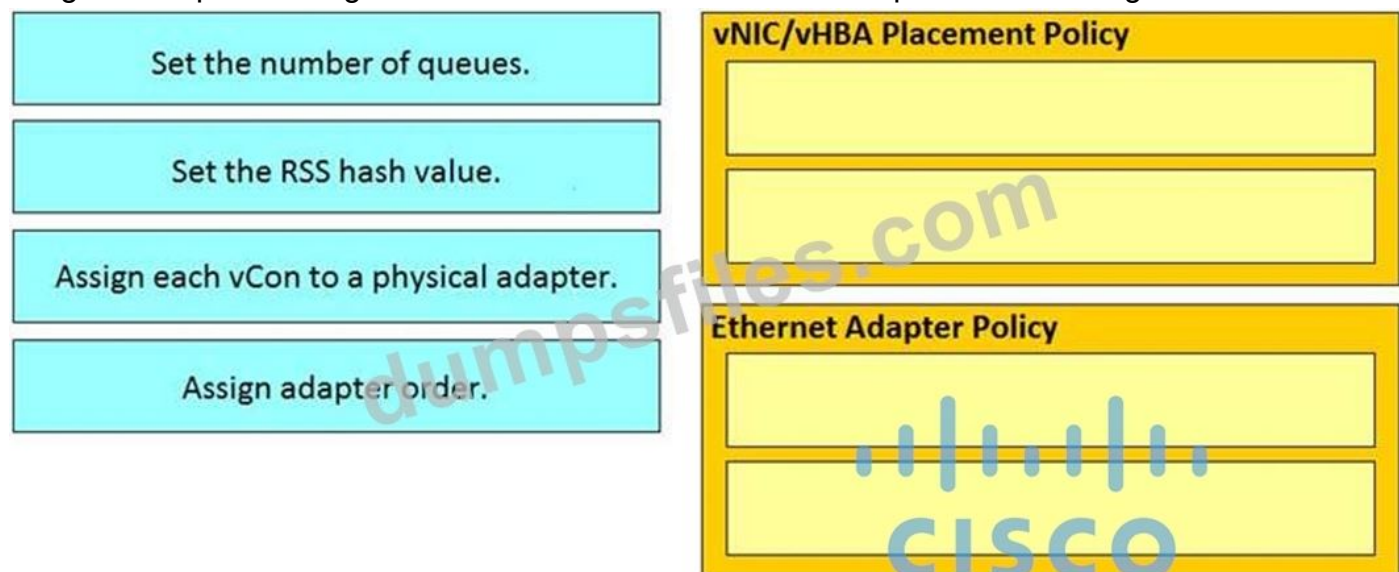
- A. Cisco Tetration
- B. Cisco Data Center Network Manager
- C. Cisco UCS Director
- D. Cisco Intersight

Answer: D (LEAVE A REPLY)

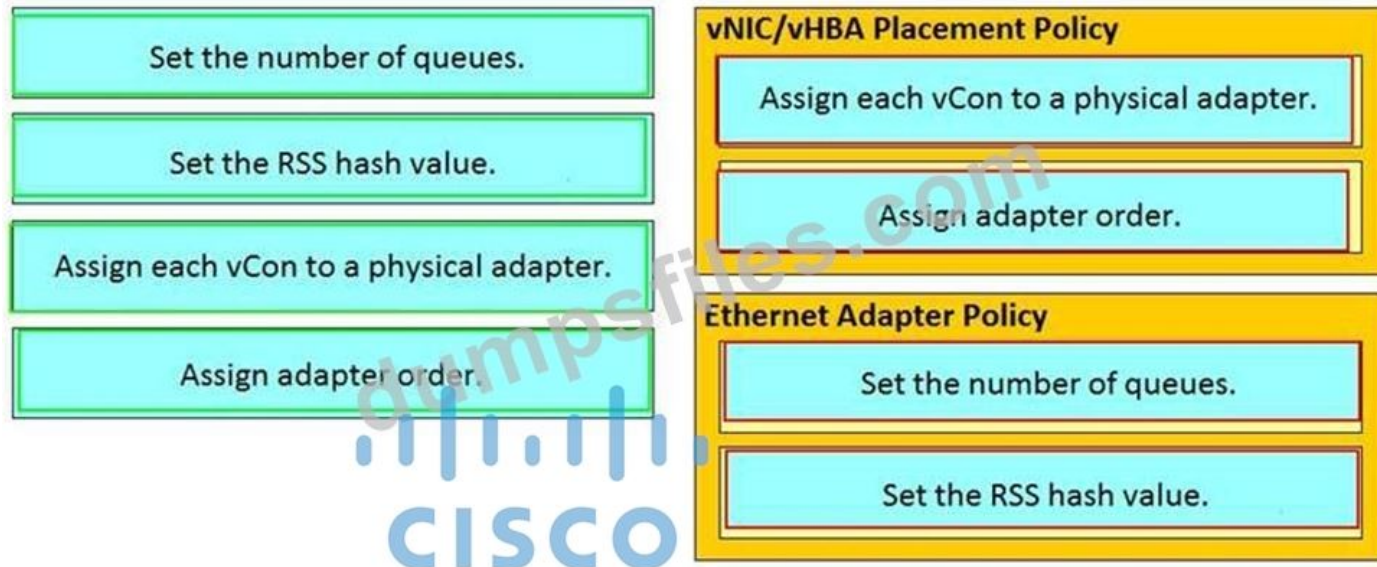
D18912E1457D5D1DDCBD40AB3BF70D5D

NEW QUESTION: 124

Drag and drop the configurations from the left onto the correct policies on the right.

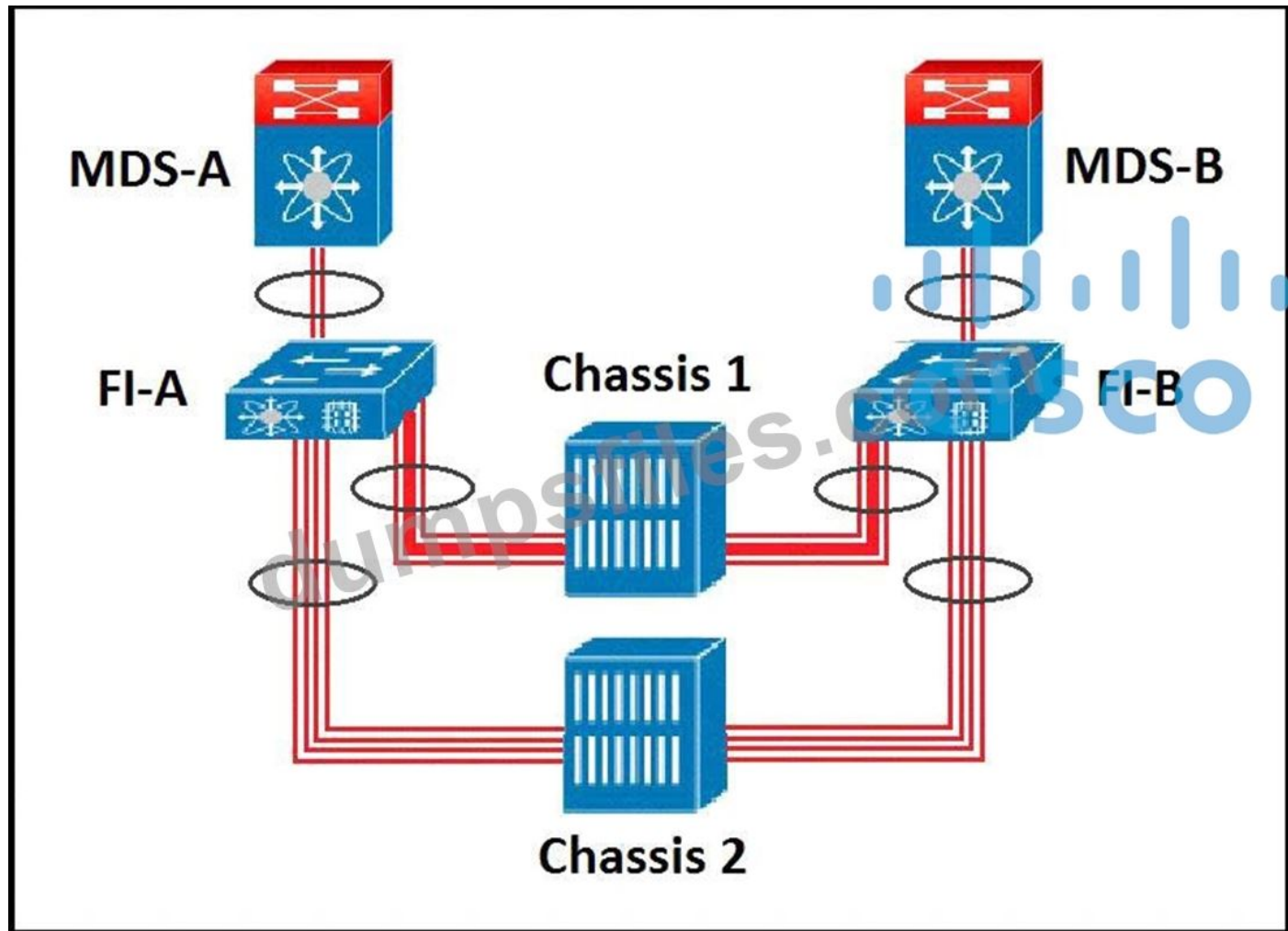


Answer:



NEW QUESTION: 125

Refer to the exhibit.



An engineer must assign multiple Fibre Channel IDs to a single port channel. Which two features must be enabled this goal? (Choose two.)

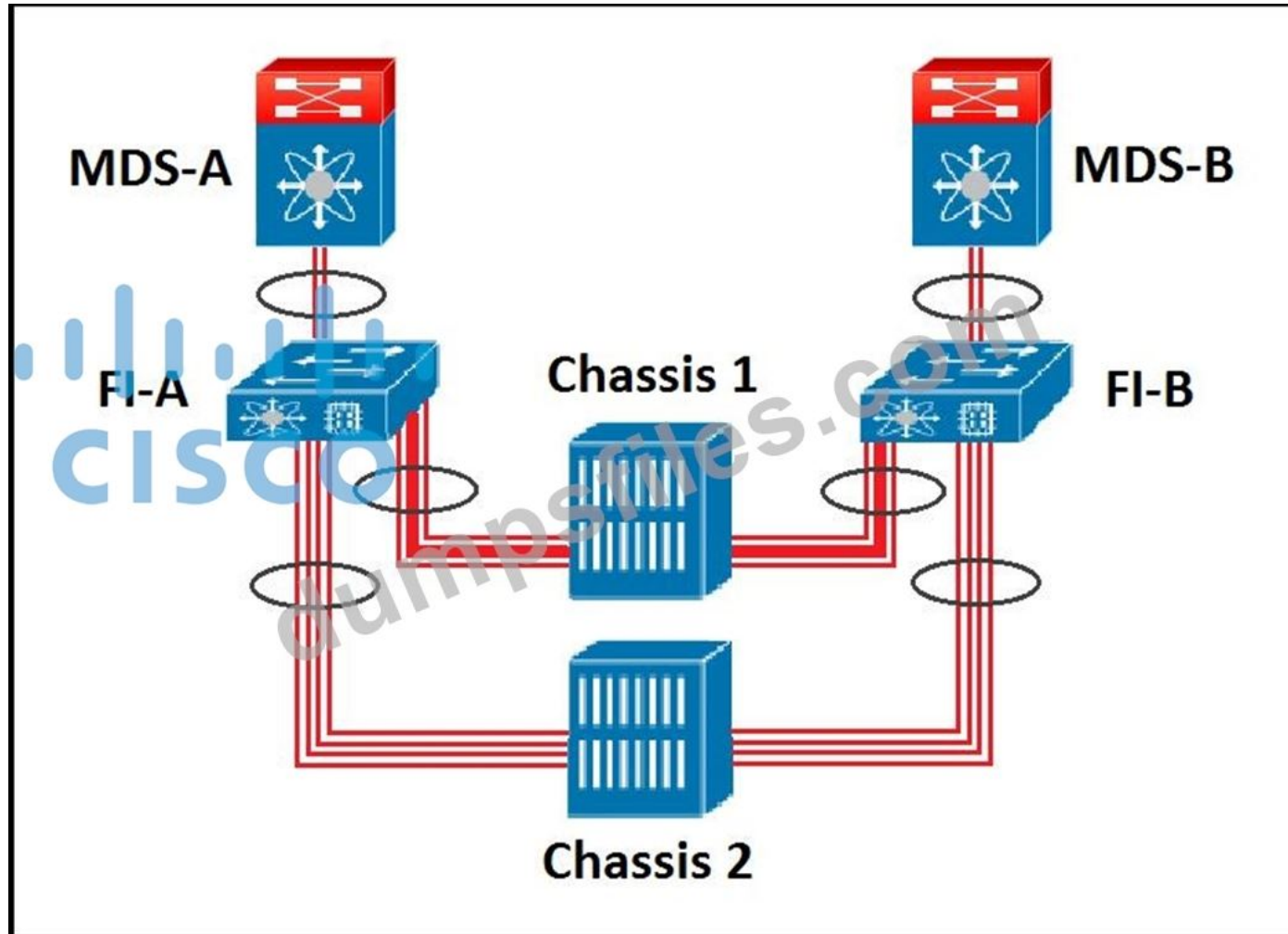
- A. NPV feature on the Cisco MDS Series.
- B. end-host mode feature on the Cisco UCS Fabric Interconnects
- C. SAN Pin Groups on the Cisco UCS Fabric Interconnects.
- D. NPIV feature on the Cisco MDS Series

E. Smart Zoning feature on the Cisco UCS Fabric Interconnects

Answer: A,D (LEAVE A REPLY)

NEW QUESTION: 126

Refer to the exhibit.



An engineer must assign multiple Fibre Channel IDs to a single port channel. Which two features must be enabled this goal? (Choose two.)

- A. NPIV feature on the Cisco MDS Series
- B. Smart Zoning feature on the Cisco UCS Fabric Interconnects
- C. end-host mode feature on the Cisco UCS Fabric Interconnects
- D. NPV feature on the Cisco MDS Series.
- E. SAN Pin Groups on the Cisco UCS Fabric Interconnects.

Answer: A,D (LEAVE A REPLY)

NEW QUESTION: 127

Drag and drop the data center technologies from the left onto the correct descriptions on the right. Not all technologies are used.

cut-through switching	connects a classical Ethernet vPC domain and a Cisco FabricPath cloud to interoperate
OTV	extends Layer 2 domains across distributed data centers
store-and-forward switching	performs Layer 2 lookup as soon as the destination MAC is received
VPC	two separate control planes, performs device aggregation
VPC+	

Answer:

cut-through switching	VPC+
OTV	OTV
store-and-forward switching	cut-through switching
VPC	VPC
VPC+	
cut-through switching	VPC+
OTV	OTV
store-and-forward switching	cut-through switching
VPC	VPC
VPC+	

Valid 300-610 Dumps shared by TrainingDump.com for Helping Passing 300-610 Exam! TrainingDump.com now offer the **newest 300-610 exam dumps**, the TrainingDump.com 300-610 exam **questions have been updated** and **answers have been corrected** get the **newest** TrainingDump.com 300-610 dumps with Test Engine here: <https://www.trainingdump.com/Cisco/300-610-practice-exam-dumps.html> (**260** Q&As Dumps, **40%OFF** Special Discount: **Exam-Tests**)